

Sanitarios y Suites de Baño

Serie Artic



Serie Artic	
Referencia	Descripción
Standard	
PLARTIC-12V	WC ARTIC 12V
PLARTIC-24V	WC ARTIC 24V
PLARTIC-230V	WC ARTIC 230V
PLARTIC BIDET	BIDET ARTIC
PLARTIC BIDET/3F	BIDET ARTIC 3 FORI
PLARTIC-12V/KB	WC ARTIC 12V KIT BIDET
PLARTIC-24V/KB	WC ARTIC 24V KIT BIDET
PLARTIC-230V/KB	WC ARTIC 230V KIT BIDET
Short	
PLARTIC S-12V	WC ARTIC SHORT 12V
PLARTIC S-24V	WC ARTIC SHORT 24V
PLARTIC S-230V	WC ARTIC SHORT 230V
PLARTIC SHORT BIDET	BIDET ARTIC SHORT
PLARTIC S-12V/KB	WC ARTIC SHORT 12V KIT BIDET
PLARTIC S-24V/KB	WC ARTIC SHORT 24V KIT BIDET
PLARTIC S-230V/KB	WC ARTIC SHORT 230V KIT BIDET
Cut Short	
PLARTIC CS-12V	WC ARTIC CUT SHORT 12V
PLARTIC CS-24V	WC ARTIC CUT SHORT 24V
PLARTIC CS-230V	WC ARTIC CUT SHORT 230V
PLARTIC CS-12V/KB	WC ARTIC CUT SHORT 12V KIT BIDET
PLARTIC CS-24V/KB	WC ARTIC CUT SHORT 24V KIT BIDET
PLARTIC CS-230V/KB	WC ARTIC CUT SHORT 230V KIT BIDET

La alta velocidad de rotación de la bomba de vórtice y el diseño geométrico de la tubería de todos los equipos Planus permiten crear un gran vacío capaz de eliminar el agua y los residuos orgánicos de la taza. El alto nivel de rendimiento garantizan la máxima flexibilidad en la planificación de la ruta de las mangueras de descarga, que le permite alcanzar distancias y alturas importantes.

TECHNICAL SPECIFICATION OF THE MAIN COMPONENTS

Vortex Discharge Pump

Hydraulic performances: up to 9 m vertically, up to 80 m horizontally	Voltage	12 Vdc	24 Vdc	230 Vac
	Absorption	35 A	25 A	3 A

Inlet Electrovalve

DIRECT ACTING Version (for both fresh water and sea water inlet systems)	Voltage	12 Vdc	24 Vdc	230 Vac
	Absorption	80 W	80 W	80 W
SERVO PILOTED Version (for fresh water inlet only)	Voltage	12 Vdc	24 Vdc	230 Vac
	Absorption	15 W	15 W	15 W

Independent Inlet Pump

Voltage	12 Vdc	24 Vdc	230 Vac
Absorption	3.6 A	1.8 A	

Centralized Inlet Pump (not supplied)

Recommended specifications	Working Pressure	Min 1 bar—Max 3 bar
----------------------------	------------------	---------------------

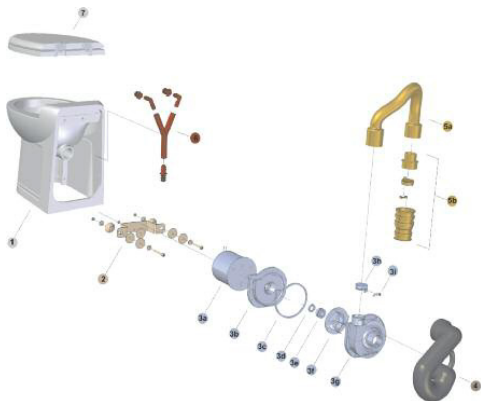


Discharge pressure
0.9 bar
(9m)



Up to 80 m

1	CERAMIC BOWL		
2	COMPLETE FIXING BRACKET		PW.026.00
3	VORTEX OUTLET PUMP	12v	PW.001.00
		24v	PW.002.00
		230v	PW.034.00
3a	Motor	12v	04.001.00
		24v	04.002.00
		230v	04.025.00
3b	Flange for pump		02.005.00
3c	Sealing for pump		03.006.00
3d	Stationary seal for impeller		05.001.00
3e	Rotatory seal for impeller		05.002.00
3f	Impeller		02.004.00
3g	Housing for pump		02.003.00
3h	One-way valve		03.005.00
3i	Clamp for one-way value		02.009.00
4	SIPHON HOSE		PW.003.00
5	DISCHARGE HOSE COMPLETE		PW.005.00
5a	Discharge hose		03.002.00
5b	One-way valve - Assembly		PW.006.00
6	INLET PIPE		PW.007.00
7	SEAT & COVER		



CONNECTIONS

Hydraulic Connections

Inlet	Hose with ID of 20 mm (3/4")
Outlet	Hose with ID of 40 mm (1 1/2")

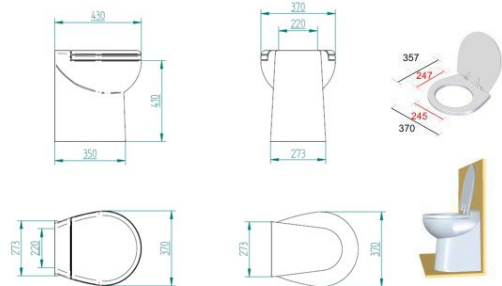
Electrical Connections

Voltage	12 Vdc	24 Vdc	230 Vac
Minimal wire gauge up to 5 m	6 mm ² (9 AWG)	4 mm ² (11 AWG)	0.75 mm ² (18 AWG)
Minimal wire gauge over 5 m	10 mm ² (7 AWG)	6 mm ² (9 AWG)	1 mm ² (17 AWG)

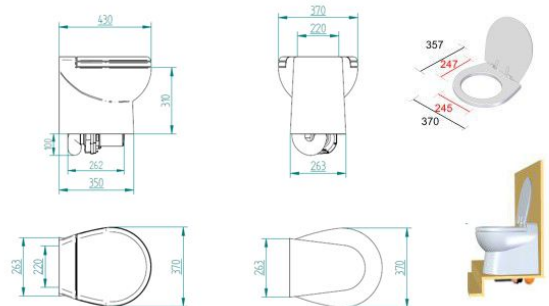
INFO

Weight:	26kg (High Version) - 23.5 kg (Short Version)
Average Water Consumption:	1.5 l
Color:	White (black or bone optional)
Seat:	Wood covered with casting resin
Hinges:	Stainless steel (soft closing system optional)
Integrated bidet:	Optional

Toilet Standard



Toilet Short



Toilet Cut Short

