

**Sanitarios y Suites de Baño**

# Serie Sky

La alta velocidad de rotación de la bomba de vórtice y el diseño geométrico de la tubería de todos los equipos Planus permiten crear un gran vacío capaz de eliminar el agua y los residuos orgánicos de la taza. El alto nivel de rendimiento garantizan la máxima flexibilidad en la planificación de la ruta de las mangueras de descarga, que le permite alcanzar distancias y alturas importantes.

Serie Sky	
Referencia	Descripción
PLSKSA012E	Inodoro 12v
PLSKSA24E	Inodoro 24v
PLSKSA012A	Inodoro 12v
PLSKSA024A	Inodoro 24v
PLSKSA012P	Inodoro (Independiente 12v)
PLSKSA024P	Inodoro (Independiente 24v)
PLSKSABDT	Bidet

**TECHNICAL SPECIFICATION OF THE MAIN COMPONENTS**

**Vortex Discharge Pump**

Hydraulic performances: up to 9 m vertically, up to 80 m horizontally	Voltage	12 Vdc	24 Vdc	230 Vac
	Absorption	35 A	25 A	3 A

**Inlet Electrovalve**

<u>DIRECT ACTING</u> Version (for both fresh water and sea water inlet systems)	Voltage	12 Vdc	24 Vdc	230 Vac
	Absorption	80 W	80 W	80 W

<u>SERVO PILOTED</u> Version (for fresh water inlet only)	Voltage	12 Vdc	24 Vdc	230 Vac
	Absorption	15 W	15 W	15 W

**Independent Inlet Pump**

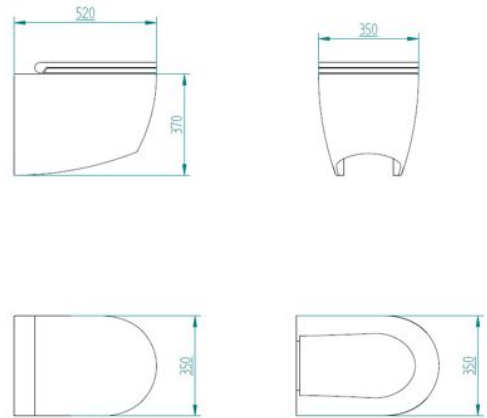
	Voltage	12 Vdc	24 Vdc	230 Vac
	Absorption	3.6 A	1.8 A	

**Centralized Inlet Pump (not supplied)**

Recommended specifications	Working Pressure	Min 1 bar <sup>2</sup> Max 3 bar
----------------------------	------------------	----------------------------------



1	CERAMIC BOWL		
1a	Bowl		
1b	Shell		
2	COMPLETE FIXING BRACKET		PW.027.00
3	VORTEX OUTLET PUMP	12v	PW.001.00
		24v	PW.002.00
		230v	PW.034.00
3a	Motor	12v	04.001.00
		24v	04.002.00
		230v	04.025.00
3b	Flange for pump		02.005.00
3c	Sealing for pump		03.006.00
3d	Stationary seal for impeller		05.001.00
3e	Rotatory seal for impeller		05.002.00
3f	Impeller		02.004.00
3g	Housing for pump		02.003.00
3h	One-way valve		03.005.00
3i	Clamp for one-way valve		02.009.00
4	WALL-MOUNTED TOILET SIPHON		PW.004.00
5	DISCHARGE HOSE COMPLETE		PW.005.00
5a	Discharge hose		03.002.00
5b	One-way valve - Assembly		PW.006.00
6	WALL-MOUNTED TOILET INLET PIPE		PW.008.00
7	SEAT&COVER		
8	CLAMP FOR CERAMIC SHELL		02.033.00



Sky Bidet

