

Sanitarios y Suites de Baño

Serie Stilo



La alta velocidad de rotación de la bomba de vórtice y el diseño geométrico de la tubería de todos los equipos Planus permiten crear un gran vacío capaz de eliminar el agua y los residuos orgánicos de la taza. El alto nivel de rendimiento garantizan la máxima flexibilidad en la planificación de la ruta de las mangueras de descarga, que le permite alcanzar distancias y alturas importantes.

Serie Stilo		Descripción
Referencia	Standard	
PLSTILO-12V	WC STILO 12V	
PLSTILO-24V	WC STILO 24V	
PLSTILO-230V	WC STILO 230V	
PLSTILO BIDET	BIDET STILO	
PLSTILO-12V/KB	WC STILO 12V KIT BIDET	
PLSTILO-24V/KB	WC STILO 24V KIT BIDET	
PLSTILO-230V/KB	WC STILO 230V KIT BIDET	
Plus		
PLSTILOPLUS-12V	WC STILOPLUS 12V	
PLSTILOPLUS-24V	WC STILOPLUS 24V	
PLSTILOPLUS-230V	WC STILOPLUS 230V	
PLSTILOPLUS BIDET	BIDET STILOPLUS	
PLSTILOPLUS-12V/KB	WC STILOPLUS 12V KIT BIDET	
PLSTILOPLUS-24V/KB	WC STILOPLUS 24V KIT BIDET	
PLSTILOPLUS-230V/KB	WC STILOPLUS 230V KIT BIDET	
Plus Short		
PLSTILOPLUS S-12V	WC STILOPLUS SHORT 12V	
PLSTILOPLUS S-24V	WC STILOPLUS SHORT 24V	
PLSTILOPLUS S-230V	WC STILOPLUS SHORT 230V	
PLSTILOPLUS SHORT BIDET	BIDET STILOPLUS SHORT	
PLSTILOPLUS S-12V/KB	WC STILOPLUS SHORT 12V KIT BIDET	
PLSTILOPLUS S-24V/KB	WC STILOPLUS SHORT 24V KIT BIDET	
PLSTILOPLUS S-230V/KB	WC STILOPLUS SHORT 230V KIT BIDET	

TECHNICAL SPECIFICATION OF THE MAIN COMPONENTS

Vortex Discharge Pump

Hydraulic performances: up to 9 m vertically, up to 80 m horizontally

Voltage	12 Vdc	24 Vdc	230 Vac
Absorption	35 A	25 A	3 A

Inlet Electrovalve

DIRECT ACTING Version (for both fresh water and sea water inlet systems)

Voltage	12 Vdc	24 Vdc	230 Vac
Absorption	80 W	80 W	80 W

SERVO PILOTED Version (for fresh water inlet only)

Voltage	12 Vdc	24 Vdc	230 Vac
Absorption	15 W	15 W	15 W

Independent Inlet Pump

Voltage	12 Vdc	24 Vdc	230 Vac
Absorption	3.6 A	1.8 A	

Centralized Inlet Pump (not supplied)

Recommended specifications Working Pressure Min 1 bar—Max 3 bar

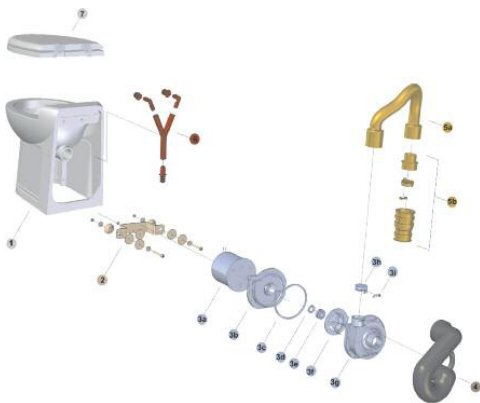


Discharge pressure 0.9 bar (9m)



Up to 80 m

1	CERAMIC BOWL		
2	COMPLETE FIXING BRACKET		PW.026.00
3	VORTEX OUTLET PUMP	12v	PW.001.00
		24v	PW.002.00
		230v	PW.034.00
3a	Motor	12v	04.001.00
		24v	04.002.00
		230v	04.025.00
3b	Flange for pump		02.005.00
3c	Sealing for pump		03.006.00
3d	Stationary seal for impeller		05.001.00
3e	Rotatory seal for impeller		05.002.00
3f	Impeller		02.004.00
3g	Housing for pump		02.003.00
3h	One-way valve		03.005.00
3i	Clamp for one-way value		02.009.00
4	SIPHON HOSE		PW.003.00
5	DISCHARGE HOSE COMPLETE		PW.005.00
5a	Discharge hose		03.002.00
5b	One-way valve - Assembly		PW.006.00
6	INLET PIPE		PW.007.00
7	SEAT & COVER		



CONNECTIONS

Hydraulic Connections

Inlet	Hose with ID of 20 mm (3/4")
Outlet	Hose with ID of 40 mm (1/2")

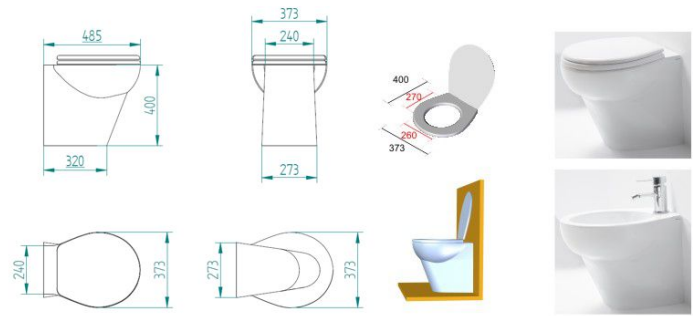
Electrical Connections

Voltage	12 Vdc	24 Vdc	230 Vac
Minimal wire gauge up to 5 m	6 mm ² (9 AWG)	4 mm ² (11 AWG)	0.75 mm ² (18 AWG)
Minimal wire gauge over 5 m	10 mm ² (7 AWG)	6 mm ² (9 AWG)	1 mm ² (17 AWG)

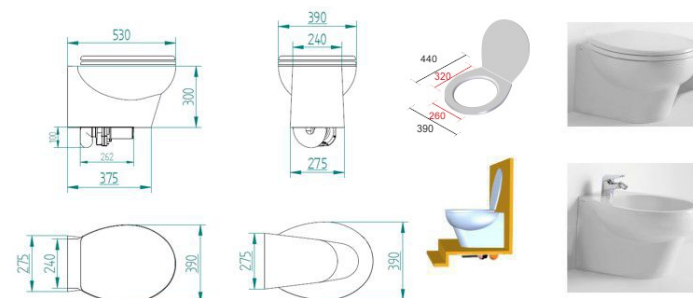
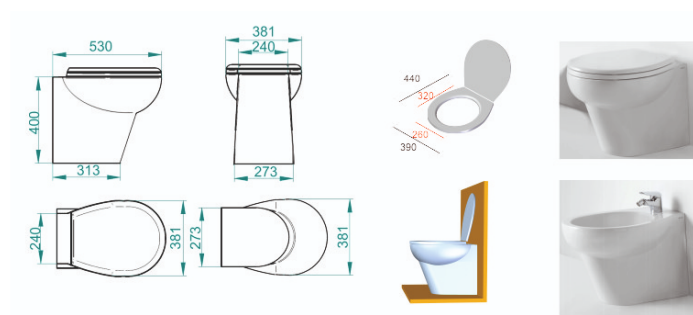
INFO

Weight: 26kg (High Version) - 23.5 kg (Short Version)
Average Water Consumption: 1.5 l
Color: White (black or bone optional)
Seat: Wood covered with casting resin
Hinges: Stainless steel (soft closing system optional)
Integrated bidet: Optional

Toilet and Bidet Standard



Toilet and bidet Plus



Toilet and bidet Plus Short