

Sanitarios y Suites de Baño

Serie Artic



Serie Artic	
Referencia	Descripción
Standard	
PLARTIC-12V	WC ARTIC 12V
PLARTIC-24V	WC ARTIC 24V
PLARTIC-230V	WC ARTIC 230V
PLARTIC BIDET	BIDET ARTIC
PLARTIC BIDET/3F	BIDET ARTIC 3 FORI
PLARTIC-12V/KB	WC ARTIC 12V KIT BIDET
PLARTIC-24V/KB	WC ARTIC 24V KIT BIDET
PLARTIC-230V/KB	WC ARTIC 230V KIT BIDET
Short	
PLARTIC S-12V	WC ARTIC SHORT 12V
PLARTIC S-24V	WC ARTIC SHORT 24V
PLARTIC S-230V	WC ARTIC SHORT 230V
PLARTIC SHORT BIDET	BIDET ARTIC SHORT
PLARTIC S-12V/KB	WC ARTIC SHORT 12V KIT BIDET
PLARTIC S-24V/KB	WC ARTIC SHORT 24V KIT BIDET
PLARTIC S-230V/KB	WC ARTIC SHORT 230V KIT BIDET
Cut Short	
PLARTIC CS-12V	WC ARTIC CUT SHORT 12V
PLARTIC CS-24V	WC ARTIC CUT SHORT 24V
PLARTIC CS-230V	WC ARTIC CUT SHORT 230V
PLARTIC CS-12V/KB	WC ARTIC CUT SHORT 12V KIT BIDET
PLARTIC CS-24V/KB	WC ARTIC CUT SHORT 24V KIT BIDET
PLARTIC CS-230V/KB	WC ARTIC CUT SHORT 230V KIT BIDET

La alta velocidad de rotación de la bomba de vórtice y el diseño geométrico de la tubería de todos los equipos Planus permiten crear un gran vacío capaz de eliminar el agua y los residuos orgánicos de la taza. El alto nivel de rendimiento garantizan la máxima flexibilidad en la planificación de la ruta de las mangueras de descarga, que le permite alcanzar distancias y alturas importantes.

TECHNICAL SPECIFICATION OF THE MAIN COMPONENTS

Vortex Discharge Pump

Hydraulic performances: up to 9 m vertically, up to 80 m horizontally	Voltage	12 Vdc	24 Vdc	230 Vac
	Absorption	35 A	25 A	3 A

Inlet Electrovalve

<u>DIRECT ACTING</u> Version (for both fresh water and sea water inlet systems)	Voltage	12 Vdc	24 Vdc	230 Vac
	Absorption	80 W	80 W	80 W
<u>SERVO PILOTED</u> Version (for fresh water inlet only)	Voltage	12 Vdc	24 Vdc	230 Vac
	Absorption	15 W	15 W	15 W

Independent Inlet Pump

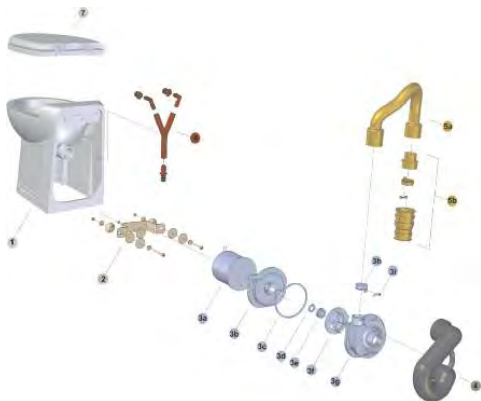
Voltage	12 Vdc	24 Vdc	230 Vac
Absorption	3.6 A	1.8 A	

Centralized Inlet Pump (not supplied)

Recommended specifications	Working Pressure	Min 1 bar—Max 3 bar
----------------------------	------------------	---------------------



1	CERAMIC BOWL		
2	COMPLETE FIXING BRACKET		PW.026.00
3	VORTEX OUTLET PUMP	12v	PW.001.00
		24v	PW.002.00
		230v	PW.034.00
3a	Motor	12v	04.001.00
		24v	04.002.00
		230v	04.025.00
3b	Flange for pump		02.005.00
3c	Sealing for pump		03.006.00
3d	Stationary seal for impeller		05.001.00
3e	Rotatory seal for impeller		05.002.00
3f	Impeller		02.004.00
3g	Housing for pump		02.003.00
3h	One-way valve		03.005.00
3i	Clamp for one-way value		02.009.00
4	SIPHON HOSE		PW.003.00
5	DISCHARGE HOSE COMPLETE		PW.005.00
5a	Discharge hose		03.002.00
5b	One-way valve - Assembly		PW.006.00
6	INLET PIPE		PW.007.00
7	SEAT & COVER		



CONNECTIONS

Hydraulic Connections

Inlet	Hose with ID of 20 mm (3/4")
Outlet	Hose with ID of 40 mm (1 1/2")

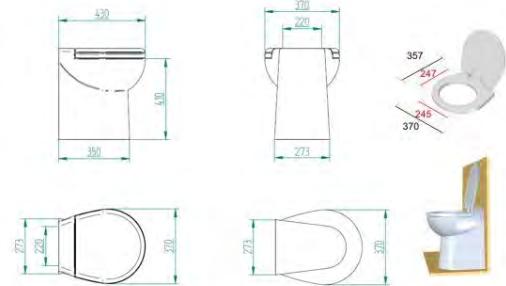
Electrical Connections

Voltage	12 Vdc	24 Vdc	230 Vac
Minimal wire gauge up to 5 m	6 mm ² (9 AWG)	4 mm ² (11 AWG)	0.75 mm ² (18 AWG)
Minimal wire gauge over 5 m	10 mm ² (7 AWG)	6 mm ² (9 AWG)	1 mm ² (17 AWG)

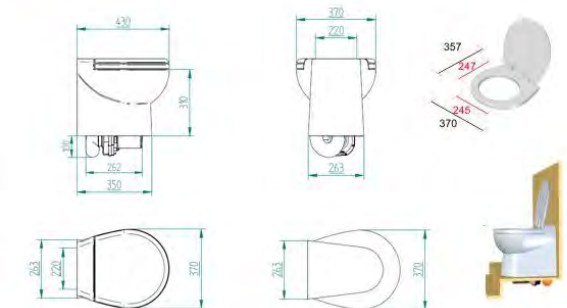
INFO

Weight:	26kg (High Version) - 23.5 kg (Short Version)
Average Water Consumption:	1.5 l
Color:	White (black or bone optional)
Seat:	Wood covered with casting resin
Hinges:	Stainless steel (soft closing system optional)
Integrated bidet:	Optional

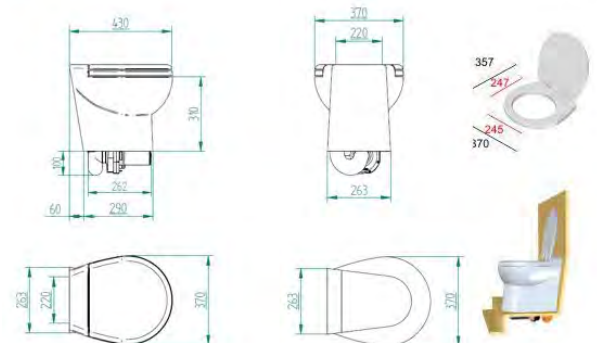
Toilet Standard



Toilet Short



Toilet Cut Short



Sanitarios y Suites de Baño

Serie Konos



La alta velocidad de rotación de la bomba de vórtice y el diseño geométrico de la tubería de todos los equipos Planus permiten crear un gran vacío capaz de eliminar el agua y los residuos orgánicos de la taza. El alto nivel de rendimiento garantizan la máxima flexibilidad en la planificación de la ruta de las mangueras de descarga, que le permite alcanzar distancias y alturas importantes.

Serie Konos	
Referencia	Descripción
PLKONOS-12V	WC KONOS 12V
PLKONOS-24V	WC KONOS 24V
PLKONOS-230V	WC KONOS 230V
PLKONOS-12V/WJ	WC KONOS 12V WATER JET
PLKONOS-24V/WJ	WC KONOS 24V WATER JET
PLKONOS-230V/WJ	WC KONOS 230V WATER JET
PLKONOS BIDET	BIDET KONOS

TECHNICAL SPECIFICATION OF THE MAIN COMPONENTS

Vortex Discharge Pump

Hydraulic performances: up to 9 m vertically, up to 80 m horizontally	Voltage	12 Vdc	24 Vdc	230 Vac
	Absorption	35 A	25 A	3 A

Inlet Electrovalve

<u>DIRECT ACTING</u> Version (for both fresh water and sea water inlet systems)	Voltage	12 Vdc	24 Vdc	230 Vac
	Absorption	80 W	80 W	80 W

<u>SERVO PILOTED</u> Version (for fresh water inlet only)	Voltage	12 Vdc	24 Vdc	230 Vac
	Absorption	15 W	15 W	15 W

Independent Inlet Pump

Voltage	12 Vdc	24 Vdc	230 Vac
Absorption	3.6 A	1.8 A	

Centralized Inlet Pump (not supplied)

Recommended specifications	Working Pressure	Min 1 bar—Max 3 bar
----------------------------	------------------	---------------------



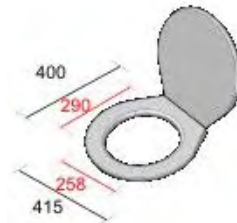
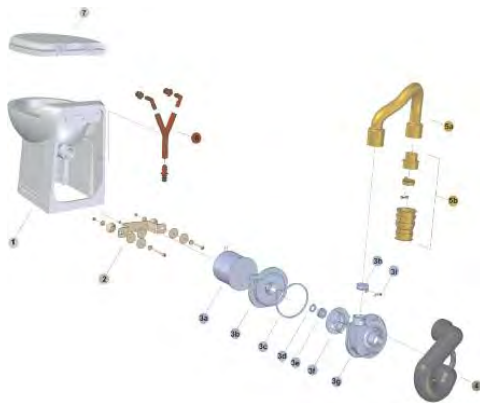
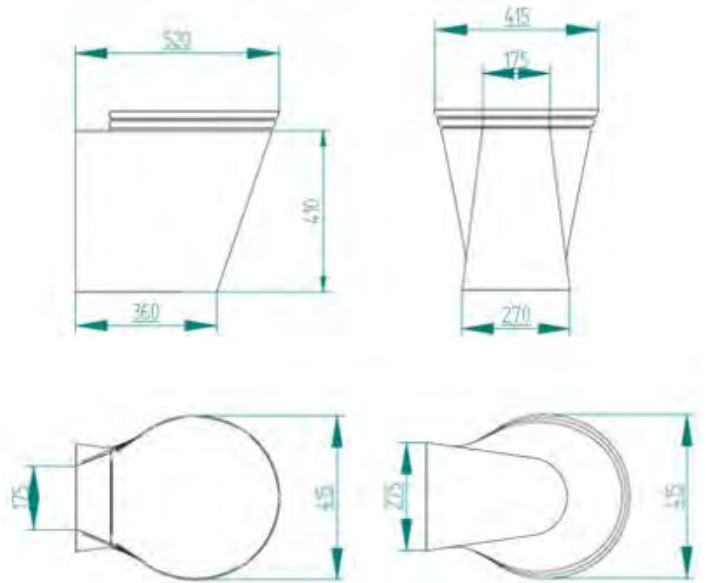
Discharge pressure
0.9 bar
(9m)



Up to 80 m

1	CERAMIC BOWL		
2	COMPLETE FIXING BRACKET		PW.026.00
3	VORTEX OUTLET PUMP	12v	PW.001.00
		24v	PW.002.00
		230v	PW.034.00
3a	Motor	12v	04.001.00
		24v	04.002.00
		230v	04.025.00
3b	Flange for pump		02.005.00
3c	Sealing for pump		03.006.00
3d	Stationary seal for impeller		05.001.00
3e	Rotatory seal for impeller		05.002.00
3f	Impeller		02.004.00
3g	Housing for pump		02.003.00
3h	One-way valve		03.005.00
3i	Clamp for one-way value		02.009.00
4	SIPHON HOSE		PW.003.00
5	DISCHARGE HOSE COMPLETE		PW.005.00
5a	Discharge hose		03.002.00
5b	One-way valve - Assembly		PW.006.00
6	INLET PIPE		PW.007.00
7	SEAT & COVER		

Toilet and bidet Plus Standard



CONNECTIONS

Hydraulic Connections

Inlet	Hose with ID of 20 mm (3/4")
Outlet	Hose with ID of 40 mm (1/2")

Electrical Connections

Voltage	12 Vdc	24 Vdc	230 Vac
Minimal wire gauge up to 5 m	6 mm ² (9 AWG)	4 mm ² (11 AWG)	0.75 mm ² (18 AWG)
Minimal wire gauge over 5 m	10 mm ² (7 AWG)	6 mm ² (9 AWG)	1 mm ² (17 AWG)

INFO

- Weight:** 26kg (High Version) - 23.5 kg (Short Version)
- Average Water Consumption:** 1.5 l
- Color:** White (black or bone optional)
- Seat:** Wood covered with casting resin
- Hinges:** Stainless steel (soft closing system optional)
- Integrated bidet:** Optional

Sanitarios y Suites de Baño

Serie Sky



La alta velocidad de rotación de la bomba de vórtice y el diseño geométrico de la tubería de todos los equipos Planus permiten crear un gran vacío capaz de eliminar el agua y los residuos orgánicos de la taza. El alto nivel de rendimiento garantizan la máxima flexibilidad en la planificación de la ruta de las mangueras de descarga, que le permite alcanzar distancias y alturas importantes.

Serie Sky	
Referencia	Descripción
PLSKY-12V	WC SKY 12V
PLSKY-24V	WC SKY 24V
PLSKY-230V	WC SKY 230V
PLSKY-12V/WJ	WC SKY 12V WATER JET
PLSKY-24V/WJ	WC SKY 24V WATER JET
PLSKY-230V/WJ	WC SKY 230V WATER JET
PLSKY-12V/WJOR	WC SKY 12V WATER JET ORIENTABLE
PLSKY-24V/WJOR	WC SKY 24V WATER JET ORIENTABLE
PLSKY-230V/WJOR	WC SKY 230V WATER JET ORIENTABLE

TECHNICAL SPECIFICATION OF THE MAIN COMPONENTS

Vortex Discharge Pump

Hydraulic performances:	Voltage	12 Vdc	24 Vdc	230 Vac
up to 9 m vertically, up to 80 m horizontally	Absorption	35 A	25 A	3 A

Inlet Electrovalve

<u>DIRECT ACTING</u> Version (for both fresh water and sea water inlet systems)	Voltage	12 Vdc	24 Vdc	230 Vac
	Absorption	80 W	80 W	80 W
<u>SERVO PILOTED</u> Version (for fresh water inlet only)	Voltage	12 Vdc	24 Vdc	230 Vac
	Absorption	15 W	15 W	15 W

Independent Inlet Pump

Voltage	12 Vdc	24 Vdc	230 Vac
Absorption	3.6 A	1.8 A	

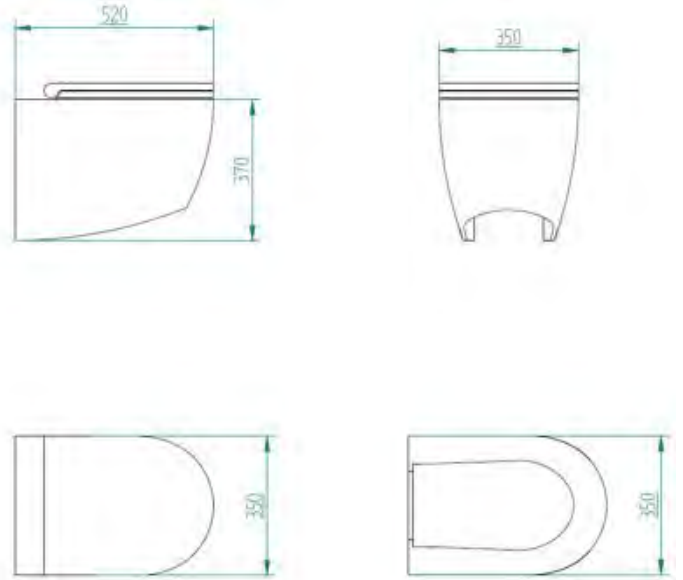
Centralized Inlet Pump (not supplied)

Recommended specifications Working Pressure Min 1 bar—Max 3 bar



1	CERAMIC BOWL		
1a	Bowl		
1b	Shell		
2	COMPLETE FIXING BRACKET		PW.027.00
3	VORTEX OUTLET PUMP	12v	PW.001.00
		24v	PW.002.00
		230v	PW.034.00
3a	Motor	12v	04.001.00
		24v	04.002.00
		230v	04.025.00
3b	Flange for pump		02.005.00
3c	Sealing for pump		03.006.00
3d	Stationary seal for impeller		05.001.00
3e	Rotatory seal for impeller		05.002.00
3f	Impeller		02.004.00
3g	Housing for pump		02.003.00
3h	One-way valve		03.005.00
3i	Clamp for one-way valve		02.009.00
4	WALL-MOUNTED TOILET SIPHON		PW.004.00
5	DISCHARGE HOSE COMPLETE		PW.005.00
5a	Discharge hose		03.002.00
5b	One-way valve - Assembly		PW.006.00
6	WALL-MOUNTED TOILET INLET PIPE		PW.008.00
7	SEAT&COVER		
8	CLAMP FOR CERAMIC SHELL		02.033.00

Toilet and bidet



CONNECTIONS

Hydraulic Connections

Inlet	Hose with ID of 20 mm (3/4")
Outlet	Hose with ID of 40 mm (1/2")

Electrical Connections

Voltage	12 Vdc	24 Vdc	230 Vac
Minimal wire gauge up to 5 m	6 mm ² (9 AWG)	4 mm ² (11 AWG)	0.75 mm ² (18 AWG)
Minimal wire gauge over 5 m	10 mm ² (7 AWG)	6 mm ² (9 AWG)	1 mm ² (17 AWG)

INFO

Weight:	26kg (High Version) - 23.5 kg (Short Version)
Average Water Consumption:	1.5 l
Color:	White (black or bone optional)
Seat:	Wood covered with casting resin
Hinges:	Stainless steel (soft closing system optional)
Integrated bidet:	Optional

Sanitarios y Suites de Baño

Serie Race



- Fibra de carbono
- Disponible en acabado mate o brillo
- Toda una gama de colores a elegir
- Tamaño estándar y pequeño
- Muy ligero

Serie Race	
Referencia	Descripción
Brillante	
PLRACE-12V/CL	WC RACE 12V CARBONIO LUCIDO
PLRACE-24V/CL	WC RACE 24V CARBONIO LUCIDO
PLRACE-230V/CL	WC RACE 230V CARBONIO LUCIDO
PLRACE BIDET/CL	BIDET RACE CARBONIO LUCIDO
PLRACE S-12V/CL	WC RACE SHORT 12V CARBONIO LUCIDO
PLRACE S-24V/CL	WC RACE SHORT 24V CARBONIO LUCIDO
PLRACE S-230V/CL	WC RACE SHORT 230V CARBONIO LUCIDO
PLRACE SHORT BIDET/CL	BIDET RACE SHORT CARBONIO LUCIDO
Opaco	
PLRACE-12V/CO	WC RACE 12V CARBONIO OPACO
PLRACE-24V/CO	WC RACE 24V CARBONIO OPACO
PLRACE-230V/CO	WC RACE 230V CARBONIO OPACO
PLRACE BIDET/CO	BIDET RACE CARBONIO OPACO
PLRACE S-12V/CO	WC RACE SHORT 12V CARBONIO OPACO
PLRACE S-24V/CO	WC RACE SHORT 24V CARBONIO OPACO
PLRACE S-230V/CO	WC RACE SHORT 230V CARBONIO OPACO
PLRACE SHORT BIDET/CO	BIDET RACE SHORT CARBONIO OPACO
Color Ral	
PLRACE-12V/RAL	WC RACE 12V COLORE RAL
PLRACE-24V/RAL	WC RACE 24V COLORE RAL
PLRACE-230V/RAL	WC RACE 230V COLORE RAL
PLRACE BIDET/RAL	BIDET RACE COLORE RAL
PLRACE S-12V/RAL	WC RACE SHORT 12V COLORE RAL
PLRACE S-24V/RAL	WC RACE SHORT 24V COLORE RAL
PLRACE S-230V/RAL	WC RACE SHORT 230V COLORE RAL
PLRACE SHORT BIDET/RAL	BIDET RACE SHORT COLORE RAL

La alta velocidad de rotación de la bomba de vórtice y el diseño geométrico de la tubería de todos los equipos Planus permiten crear un gran vacío capaz de eliminar el agua y los residuos orgánicos de la taza. El alto nivel de rendimiento garantizan la máxima flexibilidad en la planificación de la ruta de las mangueras de descarga, que le permite alcanzar distancias y alturas importantes.

TECHNICAL SPECIFICATION OF THE MAIN COMPONENTS

Vortex Discharge Pump

Hydraulic performances: up to 9 m vertically, up to 80 m horizontally

Voltage	12 Vdc	24 Vdc	230 Vac
Absorption	35 A	25 A	3 A

Inlet Electrovalve

DIRECT ACTING Version (for both fresh water and sea water inlet systems)

Voltage	12 Vdc	24 Vdc	230 Vac
Absorption	80 W	80 W	80 W

SERVO PILOTED Version (for fresh water inlet only)

Voltage	12 Vdc	24 Vdc	230 Vac
Absorption	15 W	15 W	15 W

Independent Inlet Pump

Voltage	12 Vdc	24 Vdc	230 Vac
Absorption	3.6 A	1.8 A	

Centralized Inlet Pump (not supplied)

Recommended specifications Working Pressure Min 1 bar—Max 3 bar

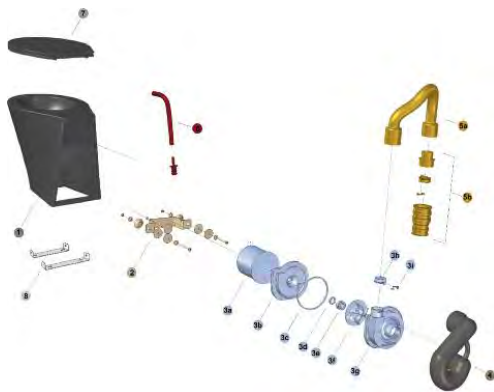


Discharge pressure 0.9 bar (9m)

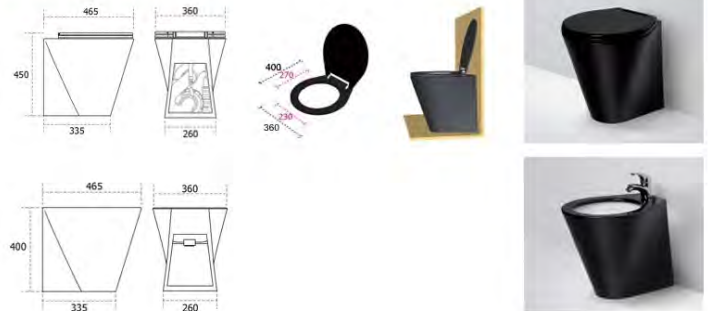


Up to 80 m

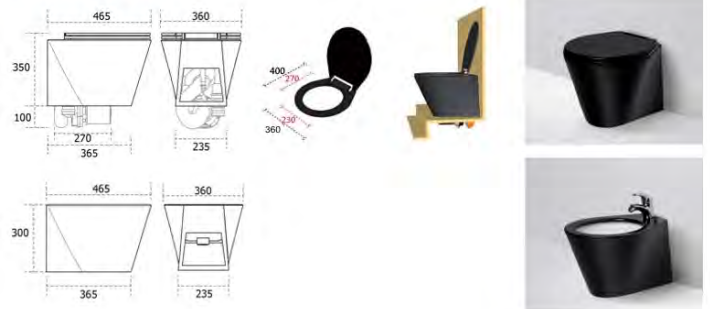
1	CARBON BOWL		
2	COMPLETE FIXING BRACKET		PW.026.00
3	VORTEX OUTLET PUMP	12v	PW.001.00
		24v	PW.002.00
		230v	PW.034.00
3a	Motor	12v	04.001.00
		24v	04.002.00
		230v	04.025.00
3b	Flange for pump		02.005.00
3c	Sealing for pump		03.006.00
3d	Stationary seal for impeller		05.001.00
3e	Rotatory seal for impeller		05.002.00
3f	Impeller		02.004.00
3g	Housing for pump		02.003.00
3h	One-way valve		03.005.00
3i	Clamp for one-way valve		02.009.00
4	SIPHONE HOSE		PW.003.00
5	DISCHARGE HOSE COMPLETE		PW.005.00
5a	Discharge hose		03.002.00
5b	One-way valve - Assembly		PW.006.00
6	CARBON TOILET WATER INLET		PW.009.00
7	SEAT&COVER IN CARBON		
8	CARBON TOILET FIXING BRACKETS		PW.037.00



Toilet and bidet Standard



Toilet and bidet Short



CONNECTIONS

Hydraulic Connections

Inlet	Hose with ID of 20 mm (3/4")
Outlet	Hose with ID of 40 mm (1/2")

Electrical Connections

Voltage	12 Vdc	24 Vdc	230 Vac
Minimal wire gauge up to 5 m	6 mm ² (9 AWG)	4 mm ² (11 AWG)	0.75 mm ² (18 AWG)
Minimal wire gauge over 5 m	10 mm ² (7 AWG)	6 mm ² (9 AWG)	1 mm ² (17 AWG)

INFO

- Weight:** 26kg (High Version) - 23.5 kg (Short Version)
- Average Water Consumption:** 1.5 l
- Color:** White (black or bone optional)
- Seat:** Wood covered with casting resin
- Hinges:** Stainless steel (soft closing system optional)
- Integrated bidet:** Optional

Sanitarios y Suites de Baño

Serie Match



La alta velocidad de rotación de la bomba de vórtice y el diseño geométrico de la tubería de todos los equipos Planus permiten crear un gran vacío capaz de eliminar el agua y los residuos orgánicos de la taza. El alto nivel de rendimiento garantizan la máxima flexibilidad en la planificación de la ruta de las mangueras de descarga, que le permite alcanzar distancias y alturas importantes.

Serie Match	
Referencia	Descripción
Short	
PLMATCH S-12V	WC MATCH SHORT 12V
PLMATCH S-24V	WC MATCH SHORT 24V
PLMATCH S-230V	WC MATCH SHORT 230V
PLMATCH SHORT BIDET	BIDET MATCH SHORT
PLMATCH S-12V/KB	WC MATCH SHORT 12V KIT BIDET
PLMATCH S-24V/KB	WC MATCH SHORT 24V KIT BIDET
PLMATCH S-230V/KB	WC MATCH SHORT 230V KIT BIDET
Cut Short	
PLMATCH CS-12V	WC MATCH CUT SHORT 12V
PLMATCH CS-24V	WC MATCH CUT SHORT 24V
PLMATCH CS-230V	WC MATCH CUT SHORT 230V
PLMATCH CS-12V/KB	WC MATCH CUT SHORT 12V KIT BIDET
PLMATCH CS-24V/KB	WC MATCH CUT SHORT 24V KIT BIDET

TECHNICAL SPECIFICATION OF THE MAIN COMPONENTS

Vortex Discharge Pump

Hydraulic performances: up to 9 m vertically, up to 80 m horizontally	Voltage	12 Vdc	24 Vdc	230 Vac
	Absorption	35 A	25 A	3 A

Inlet Electrovalve

<u>DIRECT ACTING</u> Version (for both fresh water and sea water inlet systems)	Voltage	12 Vdc	24 Vdc	230 Vac
	Absorption	80 W	80 W	80 W

<u>SERVO PILOTED</u> Version (for fresh water inlet only)	Voltage	12 Vdc	24 Vdc	230 Vac
	Absorption	15 W	15 W	15 W

Independent Inlet Pump

Voltage	12 Vdc	24 Vdc	230 Vac
Absorption	3.6 A	1.8 A	

Centralized Inlet Pump (not supplied)

Reccomended specifications	Working Pressure	Min 1 bar—Max 3 bar
----------------------------	------------------	---------------------

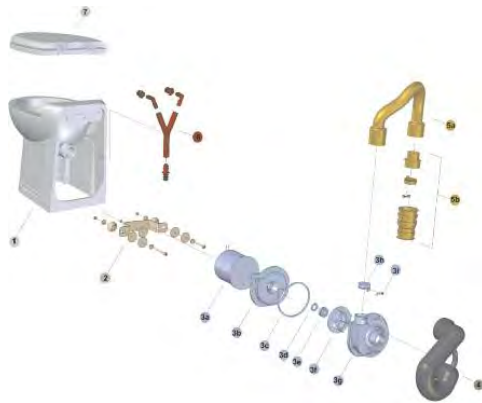


Discharge pressure
0.9 bar
(9m)



Up to 80 m

1	CERAMIC BOWL		
2	COMPLETE FIXING BRACKET		PW.026.00
3	VORTEX OUTLET PUMP	12v	PW.001.00
		24v	PW.002.00
		230v	PW.034.00
3a	Motor	12v	04.001.00
		24v	04.002.00
		230v	04.025.00
3b	Flange for pump		02.005.00
3c	Sealing for pump		03.006.00
3d	Stationary seal for impeller		05.001.00
3e	Rotatory seal for impeller		05.002.00
3f	Impeller		02.004.00
3g	Housing for pump		02.003.00
3h	One-way valve		03.005.00
3i	Clamp for one-way valve		02.009.00
4	SIPHON HOSE		PW.003.00
5	DISCHARGE HOSE COMPLETE		PW.005.00
5a	Discharge hose		03.002.00
5b	One-way valve - Assembly		PW.006.00
6	INLET PIPE		PW.007.00
7	SEAT & COVER		



CONNECTIONS

Hydraulic Connections

Inlet	Hose with ID of 20 mm (3/4")
Outlet	Hose with ID of 40 mm (1/2")

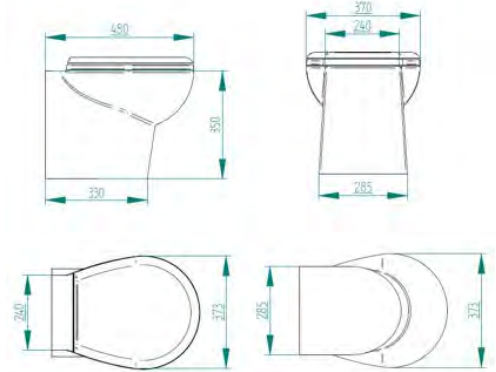
Electrical Connections

Voltage	12 Vdc	24 Vdc	230 Vac
Minimal wire gauge up to 5 m	6 mm ² (9 AWG)	4 mm ² (11 AWG)	0.75 mm ² (18 AWG)
Minimal wire gauge over 5 m	10 mm ² (7 AWG)	6 mm ² (9 AWG)	1 mm ² (17 AWG)

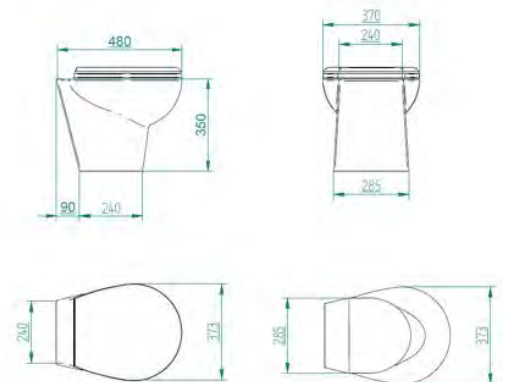
INFO

Weight: 26kg (High Version) - 23.5 kg (Short Version)
Average Water Consumption: 1.5 l
Color: White (black or bone optional)
Seat: Wood covered with casting resin
Hinges: Stainless steel (soft closing system optional)
Integrated bidet: Optional

Toilet Short



Toilet Cut Short



Sanitarios y Suites de Baño

Serie Impact



La gama Impact incluye todo el set de productos para el baño.

La alta velocidad de rotación de la bomba de vórtice y el diseño geométrico de la tubería de todos los equipos Planus permiten crear un gran vacío capaz de eliminar el agua y los residuos orgánicos de la taza. El alto nivel de rendimiento garantizan la máxima flexibilidad en la planificación de la ruta de las mangueras de descarga, que le permite alcanzar distancias y alturas importantes.

Serie Impact	
Referencia	Descripción
	Standard
PLIMPACT-12V	WC IMPACT 12V
PLIMPACT-24V	WC IMPACT 24V
PLIMPACT-230V	WC IMPACT 230V
PLIMPACT-12V/WJ	WC IMPACT 12V WATER JET
PLIMPACT-24V/WJ	WC IMPACT 24V WATER JET
PLIMPACT-230V/WJ	WC IMPACT 230V WATER JET
PLIMPACT BIDET	BIDET IMPACT

TECHNICAL SPECIFICATION OF THE MAIN COMPONENTS

Vortex Discharge Pump

Hydraulic performances: Voltage 12 Vdc 24 Vdc 230 Vac
 up to 9 m vertically, up to 80 m horizontally

Absorption 35 A 25 A 3 A

Inlet Electrovalve

DIRECT ACTING Version Voltage 12 Vdc 24 Vdc 230 Vac
 (for both fresh water and sea water inlet systems)

Absorption 80 W 80 W 80 W

SERVO PILOTED Version Voltage 12 Vdc 24 Vdc 230 Vac
 (for fresh water inlet only)

Absorption 15 W 15 W 15 W

Independent Inlet Pump

Voltage 12 Vdc 24 Vdc 230 Vac

Absorption 3.6 A 1.8 A

Centralized Inlet Pump (not supplied)

Recommended specifications Working Pressure Min 1 bar—Max 3 bar

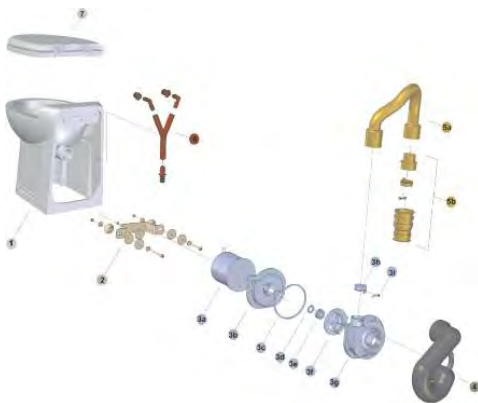


Discharge pressure 0.9 bar (9m)



Up to 80 m

1	CERAMIC BOWL		
2	COMPLETE FIXING BRACKET		PW.026.00
3	VORTEX OUTLET PUMP	12v	PW.001.00
		24v	PW.002.00
		230v	PW.034.00
3a	Motor	12v	04.001.00
		24v	04.002.00
		230v	04.025.00
3b	Flange for pump		02.005.00
3c	Sealing for pump		03.006.00
3d	Stationary seal for impeller		05.001.00
3e	Rotatory seal for impeller		05.002.00
3f	Impeller		02.004.00
3g	Housing for pump		02.003.00
3h	One-way valve		03.005.00
3i	Clamp for one-way valve		02.009.00
4	SIPHON HOSE		PW.003.00
5	DISCHARGE HOSE COMPLETE		PW.005.00
5a	Discharge hose		03.002.00
5b	One-way valve - Assembly		PW.006.00
6	INLET PIPE		PW.007.00
7	SEAT & COVER		



Toilet and bidet



Wash basin 42/65



CONNECTIONS

Hydraulic Connections

Inlet	Hose with ID of 20 mm (3/4")
Outlet	Hose with ID of 40 mm (1 1/2")

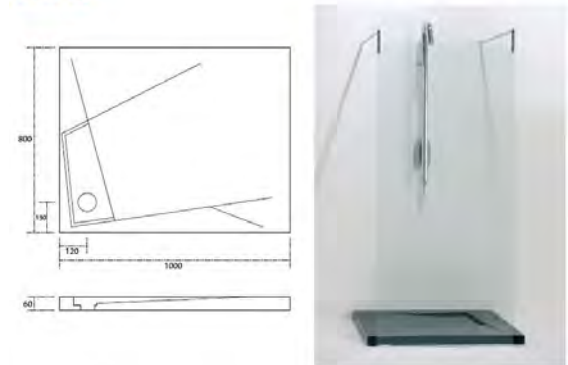
Electrical Connections

Voltage	12 Vdc	24 Vdc	230 Vac
Minimal wire gauge up to 5 m	6 mm ² (9 AWG)	4 mm ² (11 AWG)	0.75 mm ² (18 AWG)
Minimal wire gauge over 5 m	10 mm ² (7 AWG)	6 mm ² (9 AWG)	1 mm ² (17 AWG)

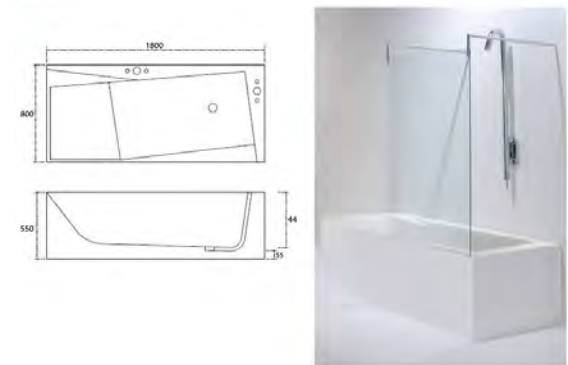
INFO

- Weight:** 26kg (High Version) - 23.5 kg (Short Version)
- Average Water Consumption:** 1.5 l
- Color:** White (black or bone optional)
- Seat:** Wood covered with casting resin
- Hinges:** Stainless steel (soft closing system optional)
- Integrated bidet:** Optional

Shower tray



Bath tub



Sanitarios y Suites de Baño

Serie Stilo



La alta velocidad de rotación de la bomba de vórtice y el diseño geométrico de la tubería de todos los equipos Planus permiten crear un gran vacío capaz de eliminar el agua y los residuos orgánicos de la taza. El alto nivel de rendimiento garantizan la máxima flexibilidad en la planificación de la ruta de las mangueras de descarga, que le permite alcanzar distancias y alturas importantes.

Serie Stilo	
Referencia	Descripción
Standard	
PLSTILO-12V	WC STILO 12V
PLSTILO-24V	WC STILO 24V
PLSTILO-230V	WC STILO 230V
PLSTILO BIDET	BIDET STILO
PLSTILO-12V/KB	WC STILO 12V KIT BIDET
PLSTILO-24V/KB	WC STILO 24V KIT BIDET
PLSTILO-230V/KB	WC STILO 230V KIT BIDET
Plus	
PLSTILOPLUS-12V	WC STILOPLUS 12V
PLSTILOPLUS-24V	WC STILOPLUS 24V
PLSTILOPLUS-230V	WC STILOPLUS 230V
PLSTILOPLUS BIDET	BIDET STILOPLUS
PLSTILOPLUS-12V/KB	WC STILOPLUS 12V KIT BIDET
PLSTILOPLUS-24V/KB	WC STILOPLUS 24V KIT BIDET
PLSTILOPLUS-230V/KB	WC STILOPLUS 230V KIT BIDET
Plus Short	
PLSTILOPLUS S-12V	WC STILOPLUS SHORT 12V
PLSTILOPLUS S-24V	WC STILOPLUS SHORT 24V
PLSTILOPLUS S-230V	WC STILOPLUS SHORT 230V
PLSTILOPLUS SHORT BIDET	BIDET STILOPLUS SHORT
PLSTILOPLUS S-12V/KB	WC STILOPLUS SHORT 12V KIT BIDET
PLSTILOPLUS S-24V/KB	WC STILOPLUS SHORT 24V KIT BIDET
PLSTILOPLUS S-230V/KB	WC STILOPLUS SHORT 230V KIT BIDET

TECHNICAL SPECIFICATION OF THE MAIN COMPONENTS

Vortex Discharge Pump

Hydraulic performances: up to 9 m vertically, up to 80 m horizontally

Voltage	12 Vdc	24 Vdc	230 Vac
Absorption	35 A	25 A	3 A

Inlet Electrovalve

DIRECT ACTING Version (for both fresh water and sea water inlet systems)

Voltage	12 Vdc	24 Vdc	230 Vac
Absorption	80 W	80 W	80 W

SERVO PILOTED Version (for fresh water inlet only)

Voltage	12 Vdc	24 Vdc	230 Vac
Absorption	15 W	15 W	15 W

Independent Inlet Pump

Voltage	12 Vdc	24 Vdc	230 Vac
Absorption	3.6 A	1.8 A	

Centralized Inlet Pump (not supplied)

Recommended specifications Working Pressure Min 1 bar—Max 3 bar

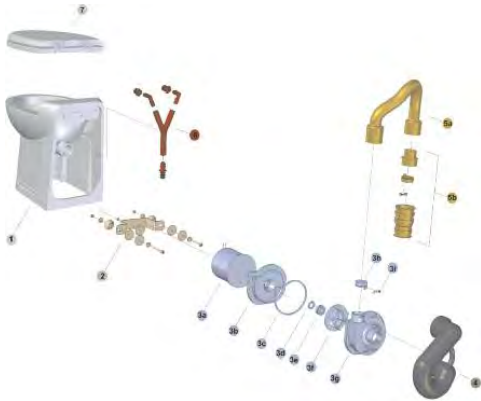


Discharge pressure 0.9 bar (9m)



Up to 80 m

1	CERAMIC BOWL		
2	COMPLETE FIXING BRACKET		PW.026.00
3	VORTEX OUTLET PUMP	12v	PW.001.00
		24v	PW.002.00
		230v	PW.034.00
3a	Motor	12v	04.001.00
		24v	04.002.00
		230v	04.025.00
3b	Flange for pump		02.005.00
3c	Sealing for pump		03.006.00
3d	Stationary seal for impeller		05.001.00
3e	Rotatory seal for impeller		05.002.00
3f	Impeller		02.004.00
3g	Housing for pump		02.003.00
3h	One-way valve		03.005.00
3i	Clamp for one-way value		02.009.00
4	SIPHON HOSE		PW.003.00
5	DISCHARGE HOSE COMPLETE		PW.005.00
5a	Discharge hose		03.002.00
5b	One-way valve - Assembly		PW.006.00
6	INLET PIPE		PW.007.00
7	SEAT & COVER		



CONNECTIONS

Hydraulic Connections

Inlet	Hose with ID of 20 mm (3/4")
Outlet	Hose with ID of 40 mm (1/2")

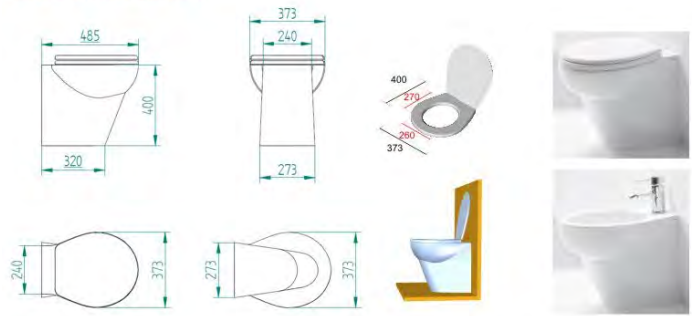
Electrical Connections

Voltage	12 Vdc	24 Vdc	230 Vac
Minimal wire gauge up to 5 m	6 mm ² (9 AWG)	4 mm ² (11 AWG)	0.75 mm ² (18 AWG)
Minimal wire gauge over 5 m	10 mm ² (7 AWG)	6 mm ² (9 AWG)	1 mm ² (17 AWG)

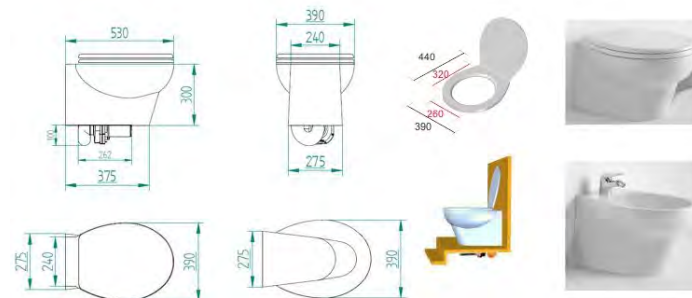
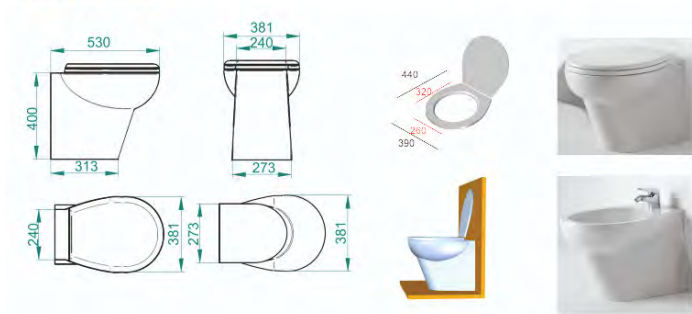
INFO

Weight: 26kg (High Version) - 23.5 kg (Short Version)
Average Water Consumption: 1.5 l
Color: White (black or bone optional)
Seat: Wood covered with casting resin
Hinges: Stainless steel (soft closing system optional)
Integrated bidet: Optional

Toilet and Bidet Standard



Toilet and bidet Plus



Toilet and bidet Plus Short

Sanitarios y Suites de Baño

Serie Relax



La alta velocidad de rotación de la bomba de vórtice y el diseño geométrico de la tubería de todos los equipos Planus permiten crear un gran vacío capaz de eliminar el agua y los residuos orgánicos de la taza. El alto nivel de rendimiento garantizan la máxima flexibilidad en la planificación de la ruta de las mangueras de descarga, que le permite alcanzar distancias y alturas importantes.

Serie Relax	
Referencia	Descripción
PLRELAX-12V	WC RELAX 12V (SEDILE MULTIFUNZIONE GEBERIT TUMA INCLUSO)
PLRELAX-24V	WC RELAX 24V (SEDILE MULTIFUNZIONE GEBERIT TUMA INCLUSO)
PLRELAX-230V	WC RELAX 230V (SEDILE MULTIFUNZIONE GEBERIT TUMA INCLUSO)

TECHNICAL SPECIFICATION OF THE MAIN COMPONENTS

Vortex Discharge Pump

Hydraulic performances: up to 9 m vertically, up to 80 m horizontally

Voltage	12 Vdc	24 Vdc	230 Vac
Absorption	35 A	25 A	3 A

Inlet Electrovalve

DIRECT ACTING Version (for both fresh water and sea water inlet systems)

Voltage	12 Vdc	24 Vdc	230 Vac
Absorption	80 W	80 W	80 W

SERVO PILOTED Version (for fresh water inlet only)

Voltage	12 Vdc	24 Vdc	230 Vac
Absorption	15 W	15 W	15 W

Independent Inlet Pump

Voltage	12 Vdc	24 Vdc	230 Vac
Absorption	3.6 A	1.8 A	

Centralized Inlet Pump (not supplied)

Recommended specifications Working Pressure Min 1 bar—Max 3 bar



Discharge pressure 0.9 bar (9m)



Up to 80 m



CONNECTIONS

Hydraulic Connections

Inlet	Hose with ID of 20 mm (3/4")
Outlet	Hose with ID of 40 mm (1/2")

Electrical Connections

Voltage	12 Vdc	24 Vdc	230 Vac
Minimal wire gauge up to 5 m	6 mm ² (9 AWG)	4 mm ² (11 AWG)	0.75 mm ² (18 AWG)
Minimal wire gauge over 5 m	10 mm ² (7 AWG)	6 mm ² (9 AWG)	1 mm ² (17 AWG)

INFO

Weight:	26kg (High Version) - 23.5 kg (Short Version)
Average Water Consumption:	1.5 l
Color:	White (black or bone optional)
Seat:	Wood covered with casting resin
Hinges:	Stainless steel (soft closing system optional)
Integrated bidet:	Optional

Sanitarios y Suites de Baño

Serie Vision



La gama Vision incluye todo el set de productos para el baño.

La alta velocidad de rotación de la bomba de vórtice y el diseño geométrico de la tubería de todos los equipos Planus permiten crear un gran vacío capaz de eliminar el agua y los residuos orgánicos de la taza. El alto nivel de rendimiento garantizan la máxima flexibilidad en la planificación de la ruta de las mangueras de descarga, que le permite alcanzar distancias y alturas importantes.

Serie Vision	
Referencia	Descripción
PLVISION-12V	WC VISION 12V
PLVISION-24V	WC VISION 24V
PLVISION-230V	WC VISION 230V
PLVISION-12V/WJ	WC VISION 12V WATER JET
PLVISION-24V/WJ	WC VISION 24V WATER JET
PLVISION-230V/WJ	WC VISION 230V WATER JET
PLVISION BIDET	BIDET VISION

TECHNICAL SPECIFICATION OF THE MAIN COMPONENTS

Vortex Discharge Pump

Hydraulic performances: up to 9 m vertically, up to 80 m horizontally

Voltage	12 Vdc	24 Vdc	230 Vac
Absorption	35 A	25 A	3 A

Inlet Electrovalve

DIRECT ACTING Version (for both fresh water and sea water inlet systems)

Voltage	12 Vdc	24 Vdc	230 Vac
Absorption	80 W	80 W	80 W

SERVO PILOTED Version (for fresh water inlet only)

Voltage	12 Vdc	24 Vdc	230 Vac
Absorption	15 W	15 W	15 W

Independent Inlet Pump

Voltage	12 Vdc	24 Vdc	230 Vac
Absorption	3.6 A	1.8 A	

Centralized Inlet Pump (not supplied)

Recommended specifications Working Pressure Min 1 bar—Max 3 bar

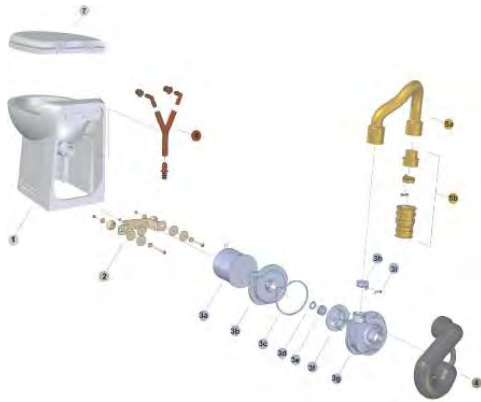


Discharge pressure 0.9 bar (9m)

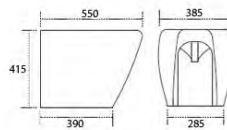
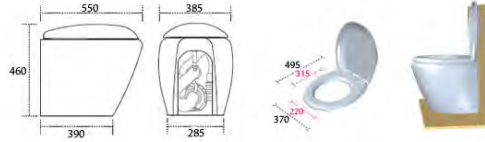


Up to 80 m

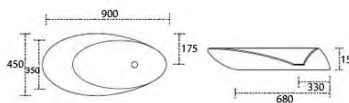
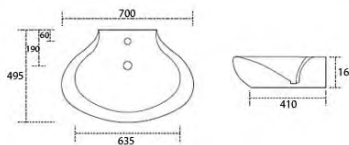
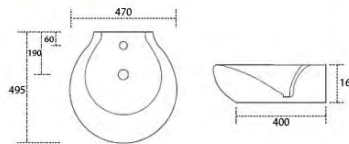
1	CERAMIC BOWL		
2	COMPLETE FIXING BRACKET		PW.026.00
3	VORTEX OUTLET PUMP	12v	PW.001.00
		24v	PW.002.00
		230v	PW.034.00
3a	Motor	12v	04.001.00
		24v	04.002.00
		230v	04.025.00
3b	Flange for pump		02.005.00
3c	Sealing for pump		03.006.00
3d	Stationary seal for impeller		05.001.00
3e	Rotatory seal for impeller		05.002.00
3f	Impeller		02.004.00
3g	Housing for pump		02.003.00
3h	One-way valve		03.005.00
3i	Clamp for one-way valve		02.009.00
4	SIPHON HOSE		PW.003.00
5	DISCHARGE HOSE COMPLETE		PW.005.00
5a	Discharge hose		03.002.00
5b	One-way valve - Assembly		PW.006.00
6	INLET PIPE		PW.007.00
7	SEAT & COVER		



Toilet and Bidet



Wash basin 47/70/90



CONNECTIONS

Hydraulic Connections

Inlet	Hose with ID of 20 mm (3/4")
Outlet	Hose with ID of 40 mm (1/2")

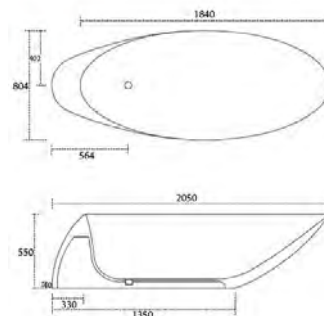
Electrical Connections

Voltage	12 Vdc	24 Vdc	230 Vac
Minimal wire gauge up to 5 m	6 mm ² (9 AWG)	4 mm ² (11 AWG)	0.75 mm ² (18 AWG)
Minimal wire gauge over 5 m	10 mm ² (7 AWG)	6 mm ² (9 AWG)	1 mm ² (17 AWG)

INFO

Weight: 26kg (High Version) - 23.5 kg (Short Version)
Average Water Consumption: 1.5 l
Color: White (black or bone optional)
Seat: Wood covered with casting resin
Hinges: Stainless steel (soft closing system optional)
Integrated bidet: Optional

Bath tub



Sanitarios y Suites de Baño

Serie Smart



La alta velocidad de rotación de la bomba de vórtice y el diseño geométrico de la tubería de todos los equipos Planus permiten crear un gran vacío capaz de eliminar el agua y los residuos orgánicos de la taza. El alto nivel de rendimiento garantizan la máxima flexibilidad en la planificación de la ruta de las mangueras de descarga, que le permite alcanzar distancias y alturas importantes.

Serie Smart	
Referencia	
PLSMART-12V	WC SMART 12V
PLSMART-24V	WC SMART 24V
PLSMART-230V	WC SMART 230V
PLSMART BIDET	BIDET SMART
PLSMART-12V/KB	WC SMART 12V KIT BIDET
PLSMART-24V/KB	WC SMART 24V KIT BIDET
PLSMART-230V/KB	WC SMART 230V KIT BIDET
PLSMART S-12V	WC SMART SHORT 12V
PLSMART S-24V	WC SMART SHORT 24V
PLSMART S-230V	WC SMART SHORT 230V
PLSMART SHORT BIDET	BIDET SMART SHORT
PLSMART S-12V/KB	WC SMART SHORT 12V KIT BIDET
PLSMART S-24V/KB	WC SMART SHORT 24V KIT BIDET
PLSMART S-230V/KB	WC SMART SHORT 230V KIT BIDET

TECHNICAL SPECIFICATION OF THE MAIN COMPONENTS

Vortex Discharge Pump

Hydraulic performances: up to 9 m vertically, up to 80 m horizontally	Voltage	12 Vdc	24 Vdc	230 Vac
	Absorption	35 A	25 A	3 A

Inlet Electrovalve

<u>DIRECT ACTING</u> Version (for both fresh water and sea water inlet systems)	Voltage	12 Vdc	24 Vdc	230 Vac
	Absorption	80 W	80 W	80 W
<u>SERVO PILOTED</u> Version (for fresh water inlet only)	Voltage	12 Vdc	24 Vdc	230 Vac
	Absorption	15 W	15 W	15 W

Independent Inlet Pump

Voltage	12 Vdc	24 Vdc	230 Vac
Absorption	3.6 A	1.8 A	

Centralized Inlet Pump (not supplied)

Recommended specifications	Working Pressure	Min 1 bar—Max 3 bar
----------------------------	------------------	---------------------



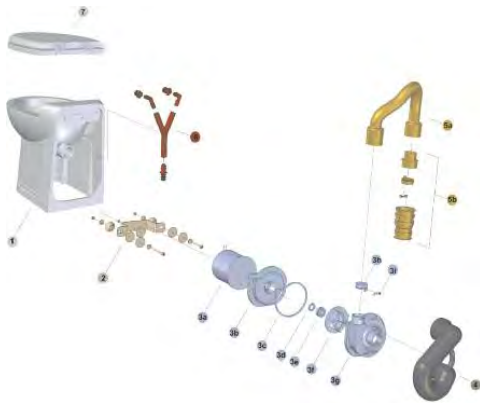
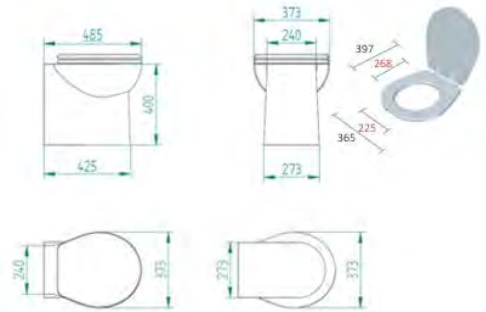
Discharge pressure
0.9 bar
(9m)



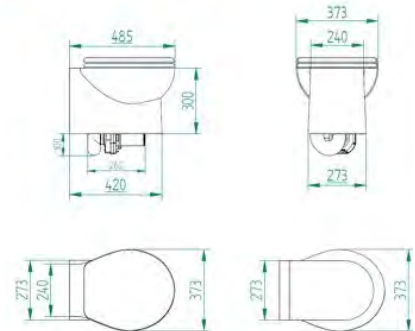
Up to 80 m

1	CERAMIC BOWL		
2	COMPLETE FIXING BRACKET		PW.026.00
3	VORTEX OUTLET PUMP	12v	PW.001.00
		24v	PW.002.00
		230v	PW.034.00
3a	Motor	12v	04.001.00
		24v	04.002.00
		230v	04.025.00
3b	Flange for pump		02.005.00
3c	Sealing for pump		03.006.00
3d	Stationary seal for impeller		05.001.00
3e	Rotatory seal for impeller		05.002.00
3f	Impeller		02.004.00
3g	Housing for pump		02.003.00
3h	One-way valve		03.005.00
3i	Clamp for one-way valve		02.009.00
4	SIPHON HOSE		PW.003.00
5	DISCHARGE HOSE COMPLETE		PW.005.00
5a	Discharge hose		03.002.00
5b	One-way valve - Assembly		PW.006.00
6	INLET PIPE		PW.007.00
7	SEAT & COVER		

Toilet and Bidet Standard



Toilet and Bidet Short



CONNECTIONS

Hydraulic Connections

Inlet	Hose with ID of 20 mm (3/4")
Outlet	Hose with ID of 40 mm (1/2")

Electrical Connections

Voltage	12 Vdc	24 Vdc	230 Vac
Minimal wire gauge up to 5 m	6 mm ² (9 AWG)	4 mm ² (11 AWG)	0.75 mm ² (18 AWG)
Minimal wire gauge over 5 m	10 mm ² (7 AWG)	6 mm ² (9 AWG)	1 mm ² (17 AWG)

INFO

- Weight:** 26kg (High Version) - 23.5 kg (Short Version)
- Average Water Consumption:** 1.5 l
- Color:** White (black or bone optional)
- Seat:** Wood covered with casting resin
- Hinges:** Stainless steel (soft closing system optional)
- Integrated bidet:** Optional