

P060 Marine Bronze Motorpump™

1 1/4 x 1 NPT 2 Pole
50-60 Hz 2900-3450 RPM

Pump

- Seawater Bronze case, impeller, adapter
- Seawater Bronze 7/8 inch shaft
- Mechanical seal is 7/8 inch diameter
- Impeller is keyed to stub shaft and secured by a washer and locking assembly.
- O-Ring case gasket

Motor – 2 Pole

- Standard NEMA frame motor
- 1 and 3 phase



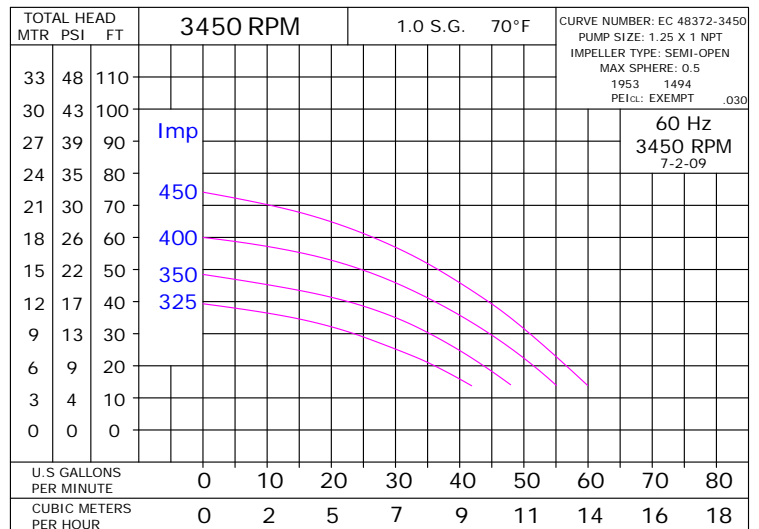
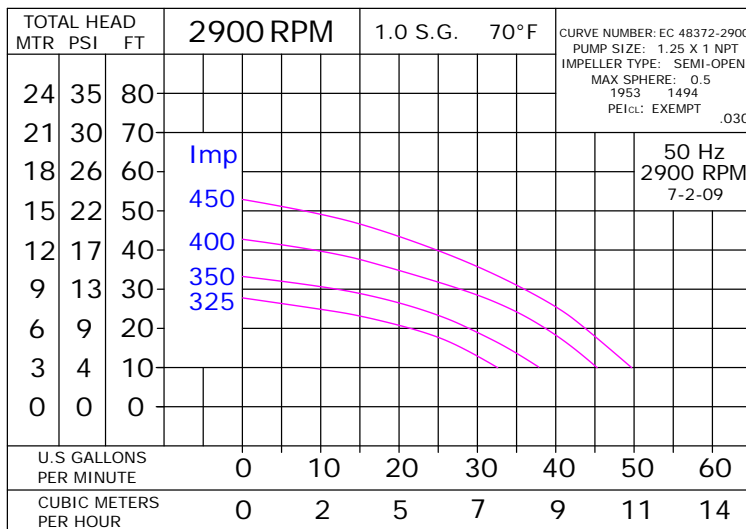
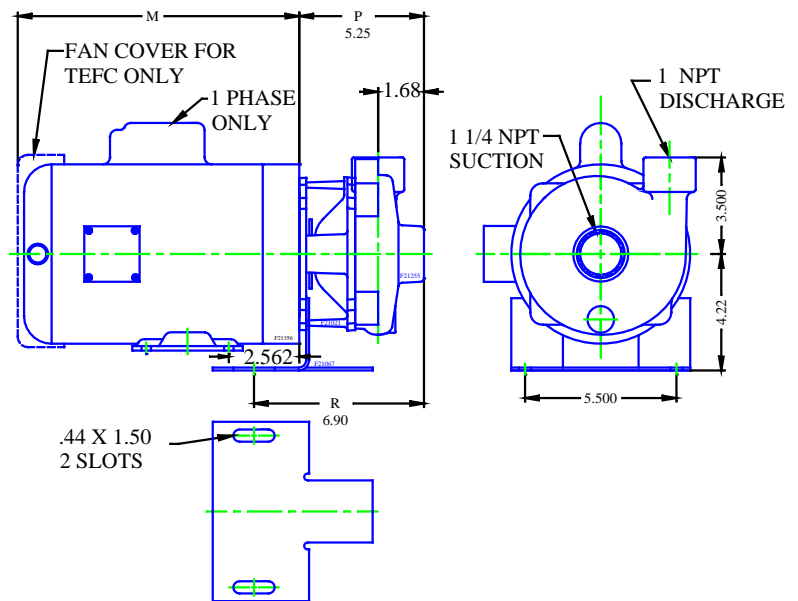
"M" Motor Length inches

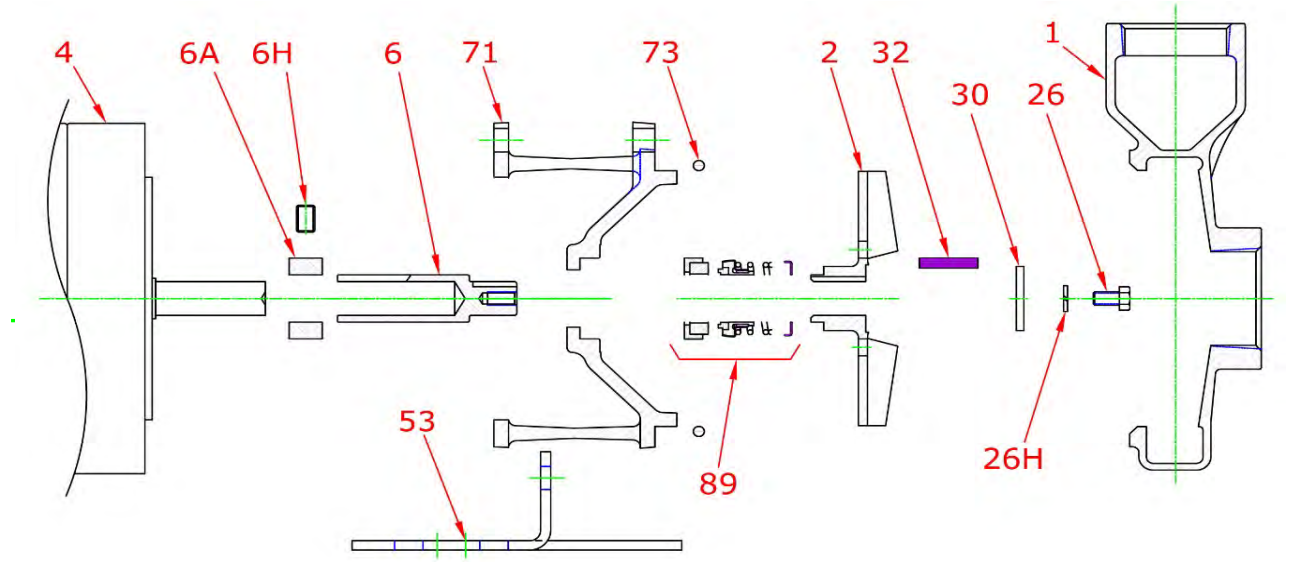
HP	Single Phase		Three Phase	
	ODP	TEFC	ODP	TEFC
1 1/2	10.50	10.50	10.50	10.50
1	10.25	10.25	10.25	10.25
3/4	9.75	9.75	9.75	9.75
1/2	9.00	9.25	9.00	9.25

Motor Amps 48372-2

Imp	Motor HP			Amperes - 2900-3450 RPM TEFC			
	50 Hz	60 Hz	Wt. lbs	Single Phase		Three Phase	
				220 V	230 V	380 V	230 V
450	1	1	41	7.6	6.9	1.5	3.2
400	3/4	3/4	40	5.9	5.4	1.3	2.8
350	1/2	1/2	36	4.6	4.2	1.0	2.2
325	1/2	1/2	36	4.6	4.2	1.0	2.2
275	1/2	1/2	36	4.6	4.2	1.0	2.2

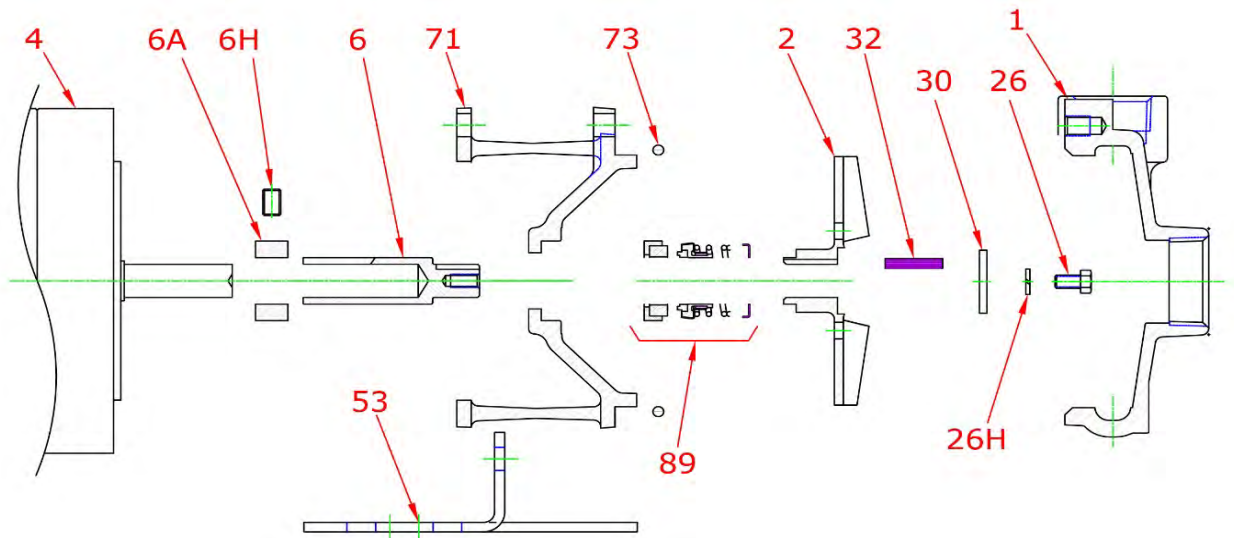
Single phase amps for 115 V 60 Hz are double 230 V amps
Three phase amps for 460 V 60 Hz are one half 230 V amps





Key No.	Part Name	Part Number
1	Case, Bronze, 1.25 x 1.00 NPT	130.000.334
2	Impeller, Bronze, 5/8" Key, Semi-open, 2.75", 5 vane	189.001.302.275
	Impeller, Bronze, 5/8" Key, Semi-open, 3.50", 5 vane	189.001.302.350
	Impeller, Bronze, 5/8" Key, Semi-open, 4.00", 5 vane	189.001.302.400
	Impeller, Bronze, 5/8" Key, Semi-open, 4.50", 5 vane	189.001.302.450
	Impeller, Bronze, 5/8" Key, Semi-open, 4.70", 5 vane	189.001.302.470
4	Motor chart, C56 3.5" Rigid Base	See Chart
6	Shaft, Bronze	189.001.301
6A	Collar, Bronze	189.001.223
6H	Set Screw, Stainless	189.001.243
26	Cap Screw, Stainless, Retainer	189.001.468
26H	Lock Washer, Stainless, Retainer	104.000.134
30	Washer, Bronze, Retainer	189.001.304
32	Key, Stainless	189.001.305
53	Base, Steel	119.000.237X
71	Adapter, Bronze	189.001.227
73*	Gasket, Case, Buna	189.001.229
89*	Seal, 7/8", Type 21, BN-CARB/CM	189.001.228
KIT	Repair Kit, 5/8" BN-CARB/CM Seal	189.001.261

* Denotes components included in seal and gasket kit.



CONSTRUCTION OPTIONS		
KEY	PART NAME	ALL BRONZE
1	Case	Bronze
2	Impeller	Bronze
6	Shaft	Bronze
6A	Collar	Bronze
6H	Set Screw	Stainless
26	Cap Screw, Retainer	Stainless
26H	Lock Washer, Retainer	Stainless
30	Washer, Retainer	Bronze
32	Key	Stainless
53	Base	Stainless
71	Adapter	Bronze
73	Gasket, Case	Buna
89	Mechanical Seal, Type 21, BN-CARB/CI	Standard