

SKYSOL Frame Large Order Form

Customer _____
 Address _____

Tel _____
 Mobile _____
 Email _____

Order _____
 Quote _____
 Date _____
 Project Name _____
 Project Location _____

ID	Window Location	Recess or Blind Dimensions **	Width (X)	Drop (Y)	Straight or curved	Hardware colour	Version	Fabric	Handle Plastic handle colour matched to hardware	Qty
		Recess Blind			Straight Curved Radius _____	White Beige	1. Double Ended - Two Fabrics 2. Single Ended - Two Fabrics 3. Single Ended - Fly Fabric 4. Single Ended - Blind Fabric	Fabric 1 _____ Fabric 2 _____	Plastic Metal Nickel Metal Chrome	
		Recess Blind			Straight Curved Radius _____	White Beige	1. Double Ended - Two Fabrics 2. Single Ended - Two Fabrics 3. Single Ended - Fly Fabric 4. Single Ended - Blind Fabric	Fabric 1 _____ Fabric 2 _____	Plastic Metal Nickel Metal Chrome	
		Recess Blind			Straight Curved Radius _____	White Beige	1. Double Ended - Two Fabrics 2. Single Ended - Two Fabrics 3. Single Ended - Fly Fabric 4. Single Ended - Blind Fabric	Fabric 1 _____ Fabric 2 _____	Plastic Metal Nickel Metal Chrome	

Fabric codes

Honeycomb Privacy	H25-PWH	White
	H25-PBE	Beige
	H25-PGR	Grey
Honeycomb Blackout	H25-BWH	White
	H25-BBE	Beige
	H25-BGR	Grey
Pleated Flyscreen 20mm [13/16"]	FLS-P020	Black

- Manual blind only
- Suitable for horizontal installations only.
- Frame colours as chosen other cross member and handles are matched to hardware colour.
- All blinds with a **frame dimension** over 1400mm [55 1/8"] will be flat packed.
- All blinds over 1400mm [55 1/8"] **wide** will have two handles 700mm [27 9/16"] apart fixed centrally to the overall width.

** If a recess dimension is given the frame size is manufactured 4mm smaller in width and drop to allow for fitting clearance.

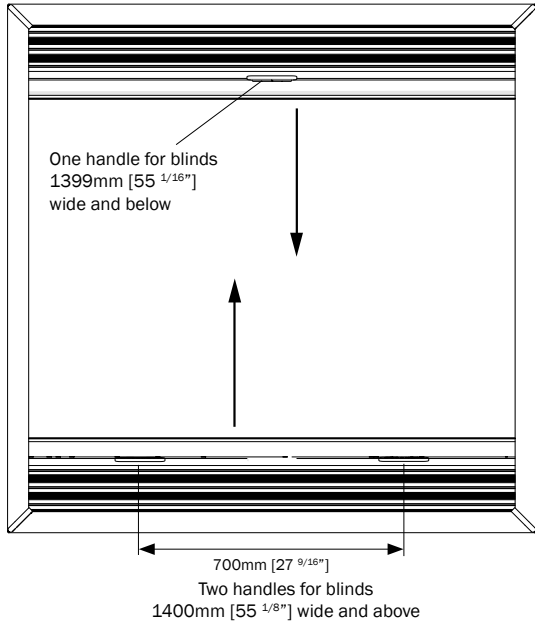
Maximums and minimums

	Width (X)	Drop (Y)
Min	600mm [23 5/8"]	800mm [31 1/2"]
Max	2200mm [86 5/8"]	2500mm [98 7/16"]

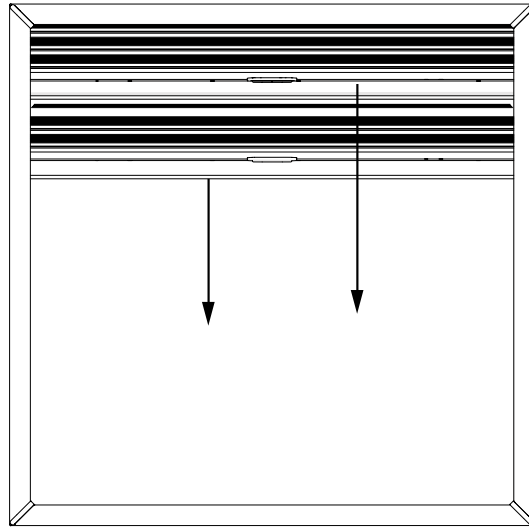
Maximum area = 4.5m² [177"²].

SKYSOL Frame Large Order Form

1. Double Ended - Two Fabrics



2. Single Ended - Two Fabrics



3 & 4. Single Ended - Fly or Blind Fabric

