

SKYSCREEN Pleated

Order Form and Product Guide

Customer _____ Address _____ _____ _____	Tel _____ Fax _____ Mobile _____ Email _____	Order _____ Project Name _____ Project Location _____ Date _____
---	---	---

Item	Window ID	Dimension type (See page 2)	Hatch Code ¹	Not required if Selecting Defined hatch		Frame Colour	Blind Fabric	Format & Fabric Type	Not required if Selecting Defined hatch		Liner Depth ³ (mm)	Qty
				Width (X or A) ²	Drop (Yfr, Y or B) ²				Radius			
1		Defined Hatch Frame internal (X & Yfr) Aperture (X & Y) External (A & B)				White Beige	White Beige	Blind/Fly Full travel	None 42	None 35 50	28	
											42	
											60	
											80	
2		Defined Hatch Frame internal (X & Yfr) Aperture (X & Y) External (A & B)				White Beige	White Beige	Blind/Fly Full travel	None 42	None 35 50	28	
											42	
											60	
											80	
3		Defined Hatch Frame internal (X & Yfr) Aperture (X & Y) External (A & B)				White Beige	White Beige	Blind/Fly Full travel	None 42	None 35 50	28	
											42	
											60	
											80	
4		Defined Hatch Frame internal (X & Yfr) Aperture (X & Y) External (A & B)				White Beige	White Beige	Blind/Fly Full travel	None 42	None 35 50	28	
											42	
											60	
											80	

1. Defined Hatch codes and sizes

Code	Mfg	X	Yfr	Code	Mfg	X	Yfr	Code	Mfg	X	Yfr	Code	Mfg	X	Yfr
00	Lewmar	210mm [8 1/4"]	210mm [8 1/4"]	70	Lewmar	625mm [24 5/8"]	625mm [24 5/8"]	1717	Taylor	430mm [16 15/16"]	430mm [16 15/16"]	80.20.90	Gebo	341mm [13 7/16"]	196mm [7 11/16"]
03	Lewmar	230mm [9 1/16"]	175mm [6 7/8"]	77	Lewmar	697mm [27 7/16"]	697mm [27 7/16"]	2020	Taylor	502mm [19 3/4"]	502mm [19 3/4"]	80.21.00	Gebo	410mm [16 1/8"]	410mm [16 1/8"]
10	Lewmar	259mm [10 3/16"]	259mm [10 3/16"]	78	Lewmar	718mm [28 1/4"]	768mm [30 1/4"]	2222	Taylor	559mm [22"]	559mm [22"]	80.21.30	Gebo	500mm [19 1/16"]	500mm [19 11/16"]
20	Lewmar	346mm [13 5/8"]	201mm [7 15/16"]	1000	Bomar	273mm [10 3/4"]	273mm [10 3/4"]	80.20.10	Gebo	200mm [7 7/8"]	200mm [7 7/8"]	80.50.30	Gebo	275mm [10 13/16"]	275mm [10 13/16"]
30	Lewmar	455mm [17 15/16"]	326mm [12 13/16"]	1011	Bomar	365mm [14 3/8"]	232mm [9 1/8"]	80.20.20	Gebo	325mm [12 13/16"]	185mm [7 5/16"]	80.50.60	Gebo	420mm [16 9/16"]	420mm [16 9/16"]
40	Lewmar	419mm [16 1/2"]	419mm [16 2/4"]	1029	Bomar	470mm [18 1/2"]	340mm [13 3/8"]	80.20.27	Gebo	260mm [10 1/4"]	260mm [10 1/4"]	80.55.60	Gebo	420mm [16 9/16"]	420mm [16 9/16"]
41	Lewmar	419mm [16 1/2"]	175mm [6 7/8"]	1039	Bomar	514mm [20 1/4"]	514mm [20 1/4"]	80.20.30	Gebo	450mm [17 11/16"]	320mm [12 5/8"]	80.50.80	Gebo	470mm [18 1/2"]	470mm [18 1/2"]
44	Lewmar	442mm [17 3/8"]	442mm [17 3/8"]	1049	Bomar	638mm [25 1/8"]	638mm [25 1/8"]	80.20.40	Gebo	500mm [19 1/16"]	370mm [14 9/16"]	80.55.90	Gebo	510mm [20 1/16"]	510mm [20 1/16"]
50	Lewmar	505mm [19 7/8"]	376mm [14 13/16"]	1070	Bomar	421mm [16 9/16"]	421mm [16 9/16"]	80.20.50	Gebo	500mm [19 1/16"]	500mm [19 1/16"]				
54	Lewmar	505mm [19 7/8"]	391mm [15 3/8"]	1080	Bomar	470mm [18 1/2"]	470mm [18 1/2"]	80.20.60	Gebo	620mm [24 7/16"]	620mm [24 7/16"]				
60	Lewmar	505mm [19 7/8"]	505mm [19 7/8"]	1212	Taylor	305mm [12"]	305mm [12"]	80.20.70	Gebo	800mm [31 2/4"]	800mm 31 1/2"				

2. Maximums & Minimums

Width	Aperture (X)		External (A)		Drop (Full travel)	Aperture (Y)		External (B)	
	Max	Min	Max	Min		Max	Min	Max	Min
	1200mm [47 1/4"]	130mm [5 1/8"]	1280mm [50 3/8"]	210mm [8 1/4"]		2000mm [78 3/4"]	85mm [3 3/8"]	2220mm [87 3/8"]	205mm [8 1/16"]

Blinds over 1000mm [39 3/8"] drop (Y) will have additional side rail fixing points

Internal use only	Customised
-------------------	------------



SKYSCREEN Pleated

Order Form and Product Guide

- 3. Liners on blinds over 514mm x 514mm [20 1/4" x 20 1/4"] will have vertical joins visible.
- 4. Units with Y over 2000mm [47 1/4"] are manufactured as meet in the middle blinds up to a maximum of 3200mm [126"]

Intrusion

Intrusion on larger blinds

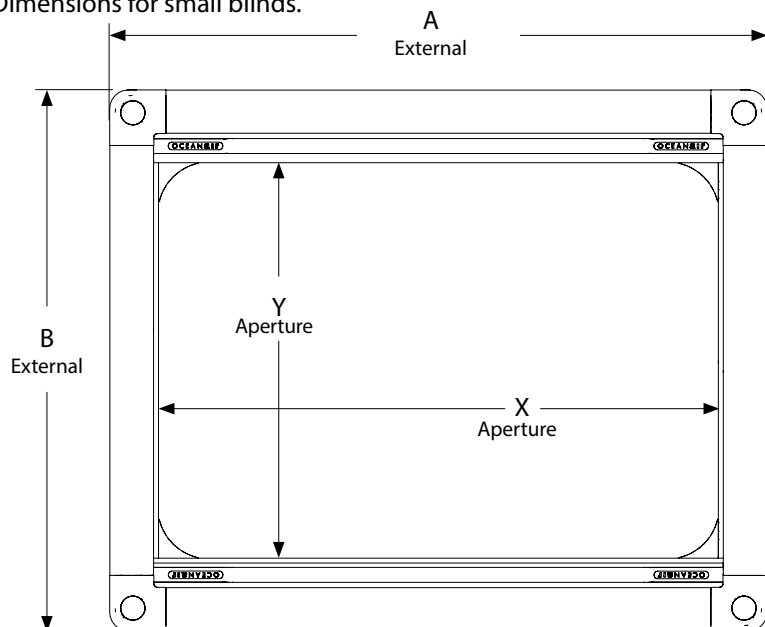
On larger blinds the fabric will not stow fully inside the frame causing the crossbar to protrude into the opening. This can be compensated by specifying the "Y" dimension (aperture), however this will increase the relative external dimensions.

Because liners fit in to the frame you need to specify the X and Yfr (frame) dimensions. With larger blinds the crossbar, when stowed will protrude (intrusion) into opening by the amount shown in the table. Intrusion compensation is not possible when liners are fitted.

Table showing crossbar intrusion on Standard Blind/Fly Full Travel Blinds

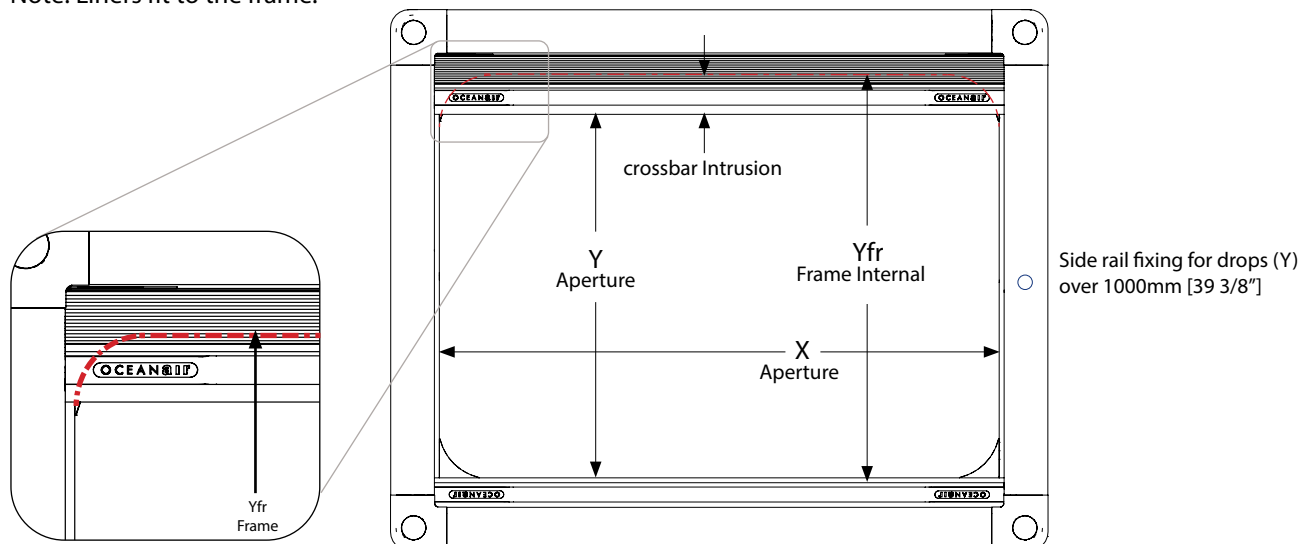
Blind / Fly - Full Travel (BF)			
Aperture (Y)	Fabric Intrusion		External
	Blind	Fly	
No intrusion under 550mm [21 5/8"]			
500mm [19 11/16"]	-	-	620mm [24 7/16"]
550mm [21 5/8"]	-	1mm [1/16"]	671mm [26 7/16"]
650mm [25 9/16"]	-	7mm [1/4"]	777mm [30 9/16"]
750mm [29 2/4"]	-	12mm [2/4"]	882mm [34 3/4"]
850mm [33 7/16"]	-	18mm [11/16"]	988mm [38 7/8"]
950mm [37 3/8"]	-	22mm [7/8"]	1092mm [43"]
1050mm [41 5/16"]	3mm [1/8"]	28mm [1 1/8"]	1201mm [47 5/16"]
1150mm [45 1/4"]	5mm [3/16"]	33mm [1 5/16"]	1308mm [51 1/2"]
1250mm [49 3/16"]	9mm [3/8"]	38mm [1 2/4"]	1417mm [55 13/16"]
1350mm [53 1/8"]	11mm [7/16"]	44mm [1 3/4"]	1525mm [60 1/16"]
1450mm [57 1/16"]	14mm [9/16"]	49mm [1 15/16"]	1623mm [63 7/8"]
1550mm [61"]	17mm [11/16"]	55mm [2 3/16"]	1742mm [68 9/16"]
1650mm [64 15/16"]	20mm [13/16"]	59mm [2 5/16"]	1849mm [72 13/16"]
1750mm [68 7/8"]	23mm [7/8"]	65mm [2 9/16"]	1958mm [77 1/16"]
1850mm [72 13/16"]	26mm [1"]	70mm [2 3/4"]	2065mm [81 5/16"]
1950mm [76 3/4"]	29mm [1 1/8"]	76mm [3"]	2174mm [85 9/16"]
2000mm [78 3/4"]	30mm [1 3/16"]	78mm [3 1/16"]	2220mm [87 3/8"]

Dimensions for small blinds.



Dimensions for large blind where crossbar protrudes into the opening.

Note: Liners fit to the frame.



SKYSCREEN Pleated

Order Form and Product Guide

Cording
 “Centre” and “Split” cording are visible. With “None”(no support cording) the cords run inside the side rails and are not visible. “Edge” cords run through edge of the fabric within the side rails and are not visible.

SUPPORT CORDING		WIDTH (X)			
		min - 300mm [11 13/16"]	301mm [11 7/8"] - 525mm [20 11/16"]	526mm [20 11/16"] - 800mm [31 1/2"]	801mm [31 9/16"] - max
DROP (Y)	min-200mm [7 7/8"]	None	Edge	Edge	Centre & Edge
	201mm [7 15/16"] - 300mm [11 13/16"]	None	Centre & Edge	Centre & Edge	Split & Edge
	301mm [11 7/8"] - 625mm [24 5/8"]	Edge	Centre & Edge	Centre & Edge	Split & Edge
	626mm [24 5/8"] - max	Edge	Centre & Edge	Split & Edge	Split & Edge

Centre Cording



Split Cording



SKYSCREEN Pleated

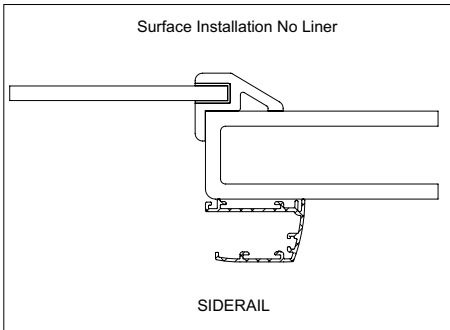
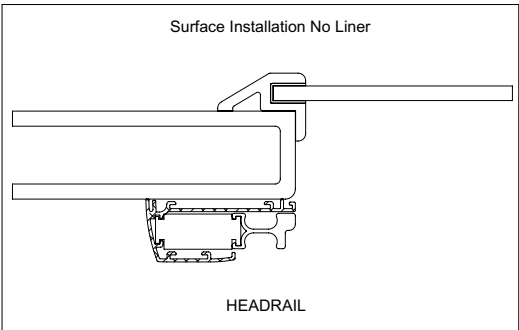
Order Form and Product Guide

Installation options

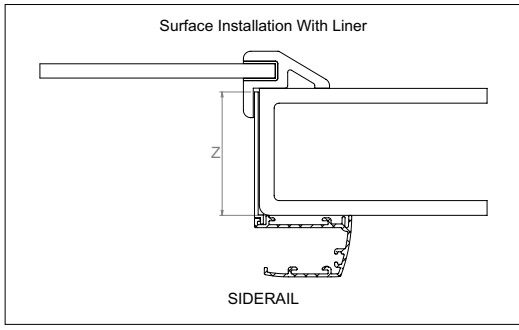
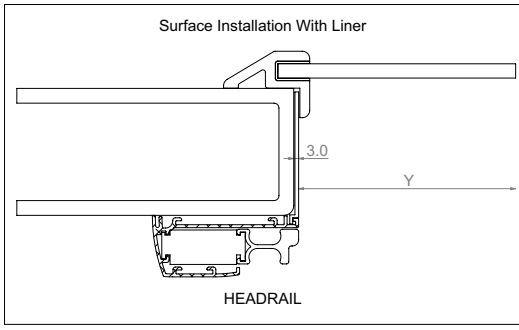
No liner

With liner

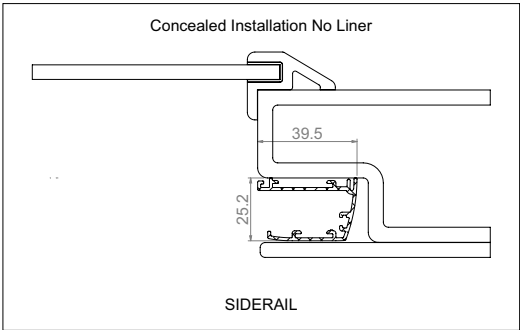
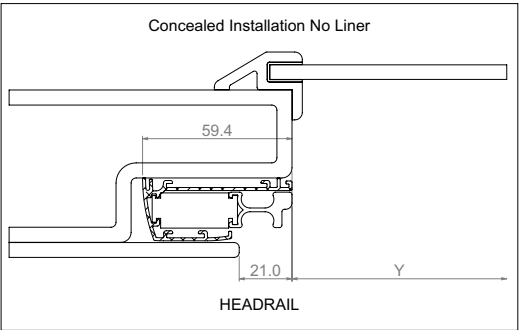
Surface



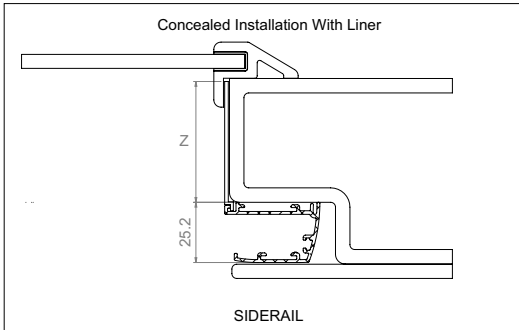
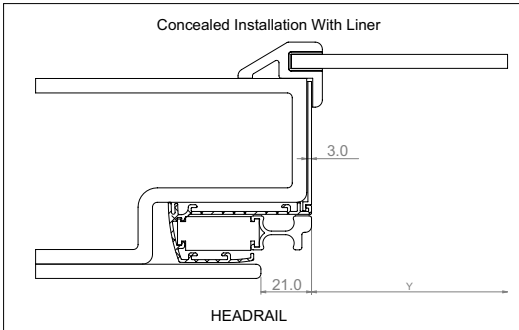
Surface



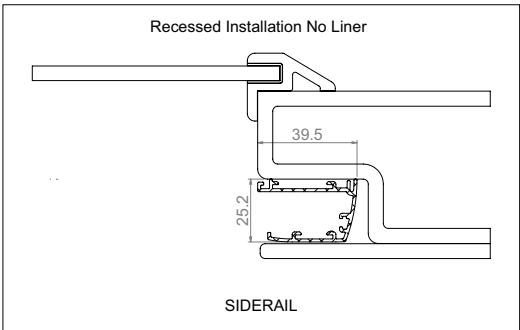
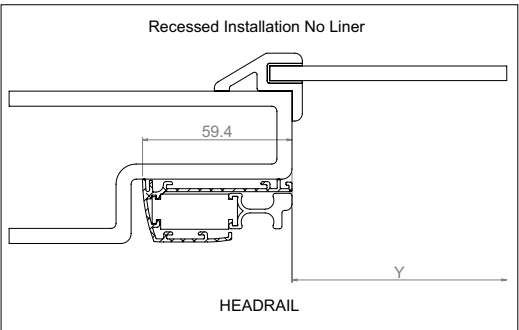
Concealed



Concealed



Recessed



Recessed

