

CABINSHADE

Order Form and Product Guide

Customer _____
 Address _____

Tel _____
 Fax _____
 Mobile _____
 Email _____

Order _____
 Quote _____
 Project Name _____
 Project Location _____
 Date _____

Window ID	Location	Retail Size Product Code	Dimension Info (Not Needed if Retail Size Selected)			Fabric	Housing Colour	Hold Down Options	Additional Pegs Required	Fixings	Qty
			Overall	or ¹	Fabric						
			width (Z)	Width (X) ²	Drop (Y) ³						
						Solar White Shield From Collection Code	Silver Anodized White Beige	Mini Grip Toggle Long Toggle Pegs	Qty _____	Top Face	
						Solar White Shield From Collection Code	Silver Anodized White Beige	Mini Grip Toggle Long Toggle Pegs	Qty _____	Top Face	

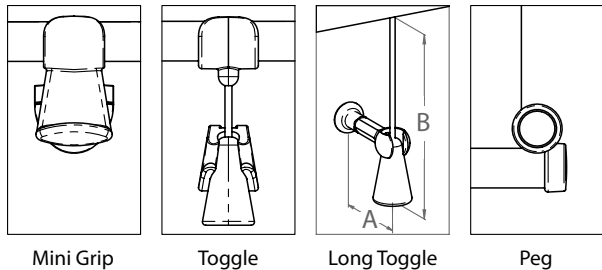
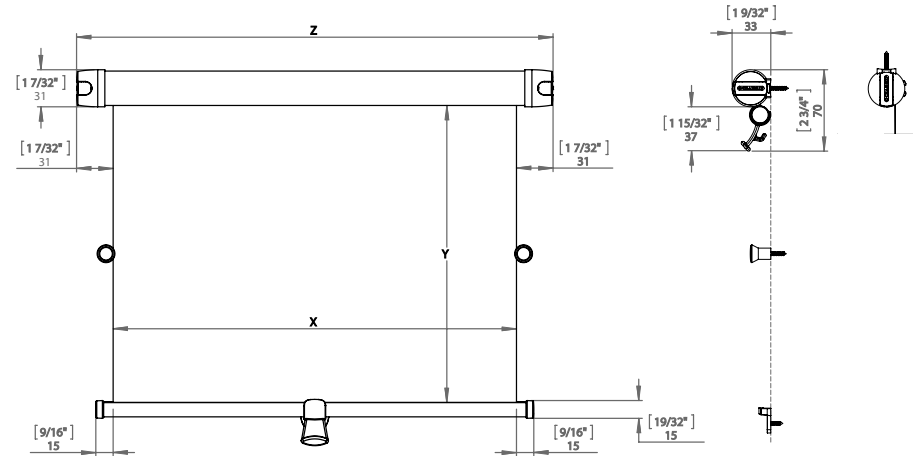
Notes:

1. Please provide either 'Z' or 'X' measurement.
2. Width: Min 200 mm (7 7/8") - Max 1100 mm (43 5/16") in standard fabric.
3. Maximum drop is dictated by the chosen fabric.
4. Standard fabric is Solar Shield White, for other fabrics see fabric collection.

Pegs Supplied				
Hold Down Option	Mini Grip	Toggle	Long Toggle	Pegs
No. of Pegs	2	2	2	4

5. Pegs are supplied as standard when selecting Hold down options, they can be used in addition to the option chosen or for deploying the blind halfway. If more are required, please state quantity above.

* Blinds over 800 mm (31 1/2") wide have two handles (All dimensions converted to the nearest ". If sizes are critical, please use metric measurements).



A = 35.4mm [1 3/8"]
 B = 80.4mm [3 1/8"]

Retail Sizes		
Product Code	Width (X)	Drop (Y)
CSH-1	360	400
CSH-2	470	510
CSH-3	550	600
CSH-4	680	700

FACE FIX TOP FIX