

WINDOWSHADE 2 Manual

Order Form and Product Guide

Customer _____
 Address _____

Tel _____
 Fax _____
 Mobile _____
 Email _____

Order _____
 Quote _____
 Project Name _____
 Project Location _____
 Date _____

1	2	3	4	5	6	7	8	9			10			11			12	13	14	15
ID	Location	Fabric	Recess or Blind	Width	Drop	Headrail model	Control Type	Position			Restraint Options			Hembar Profile			Hardware Colour	Headrail fix	Headrail mount	Qty
											Free Hanging	Guide Wire <i>(Select Hold Down)</i>	Side Tracks							
		OA Code or Custom* *Please fill in Custom Fabric below	Recess Blind			45 65	Precision Ball Chain	N / A Left Right			N / A	N / A	Default	Large only Round Small Large Large Covered Pocketed weight bar Stitched Glued			White Beige Black	Top Face	Forward Reversed	
		OA Code or Custom* *Please fill in Custom Fabric below	Recess Blind			45 65	Precision Ball Chain	N / A Left Right			N / A	N / A	Default	Large only Round Small Large Large Covered Pocketed weight bar Stitched Glued			White Beige Black	Top Face	Forward Reversed	
		OA Code or Custom* *Please fill in Custom Fabric below	Recess Blind			45 65	Precision Ball Chain	N / A Left Right			N / A	N / A	Default	Large only Round Small Large Large Covered Pocketed weight bar Stitched Glued			White Beige Black	Top Face	Forward Reversed	

Column	Ordering Notes
3	See Fabric collection, Solarshield fabric is available in following configuration: Chain drive, 45 headrail, large hembar and widths from 350mm [13 ^{3/4}] to 1200mm [47 ^{1/4}].
4	The blind, headrail and side tracks are made slightly smaller than the recess to allow for installation. Side tracks are side fix only.
7	For headrail model sizes see page 2.
10	Dometic reserves the right to vary the chosen hembar depending on the selected fabric & blind size, to improve the blind function. Fabric covered hembar only available with tested fabrics.
12	Plastic moulding only available in black & white and will be colour matched to chosen hardware as best as possible.
14	When reverse headrail is selected, the blind drop limits shown may be reduced on thicker fabrics and after installation, access may be required via the cover to fabric or motor.

Custom fabric

Code / Name	_____ / _____
Thickness / Width	_____ / _____
Price per Sqm	_____
Supplier:	_____ Phone _____
Supply minimum of 1 m ² of each fabric for suitability check	

Note:

- When near the upper blind 'X' limits, heavy fabric blinds may show signs of deflection (slight ripples), caused by the total weight of the roller, fabric and hembar. A solution to avoid this is to split the recess into two blinds. For blinds larger than the limits shown - please contact Dometic.

WINDOWSHADE 2 Manual

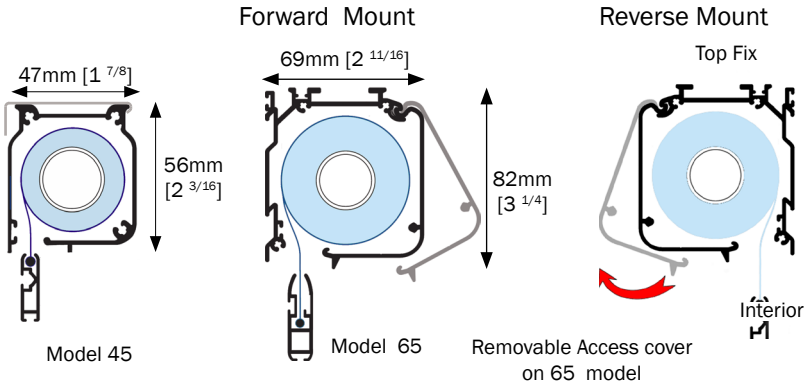
Order Form and Product Guide

Minimums & Maximums

Ball chain			
Headrail model	Side track size	X mm	Y mm
45	40mm [1 9/16]	min 350mm [13 3/4]	min 250mm [9 3/16]
		max 1500mm [59 1/16]	max 1200mm [47 1/4]
65	55mm [2 3/16]	min 350mm [13 3/4]	min 250mm [9 3/16]
		max 2400mm [94 1/2]	max 2000mm [78 3/4]

Precision			
Headrail model	Side track size	X mm	Y mm
45	40mm [1 9/16]	min 580mm [22 3/16]	min 300mm [11 1/4]
		max 1200mm [47 1/4]	max 1300mm [51 3/16]
65	40mm [1 9/16]	min 750mm [29 1/4]	min 300mm [11 1/4]
		max 2100mm [82 11/16]	max 1700mm [66 15/16]

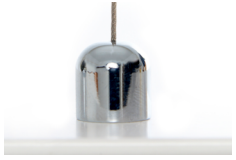
Headrail dimensions including fixing bracket



Small or Large hembar with brush strip

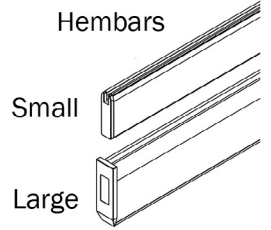
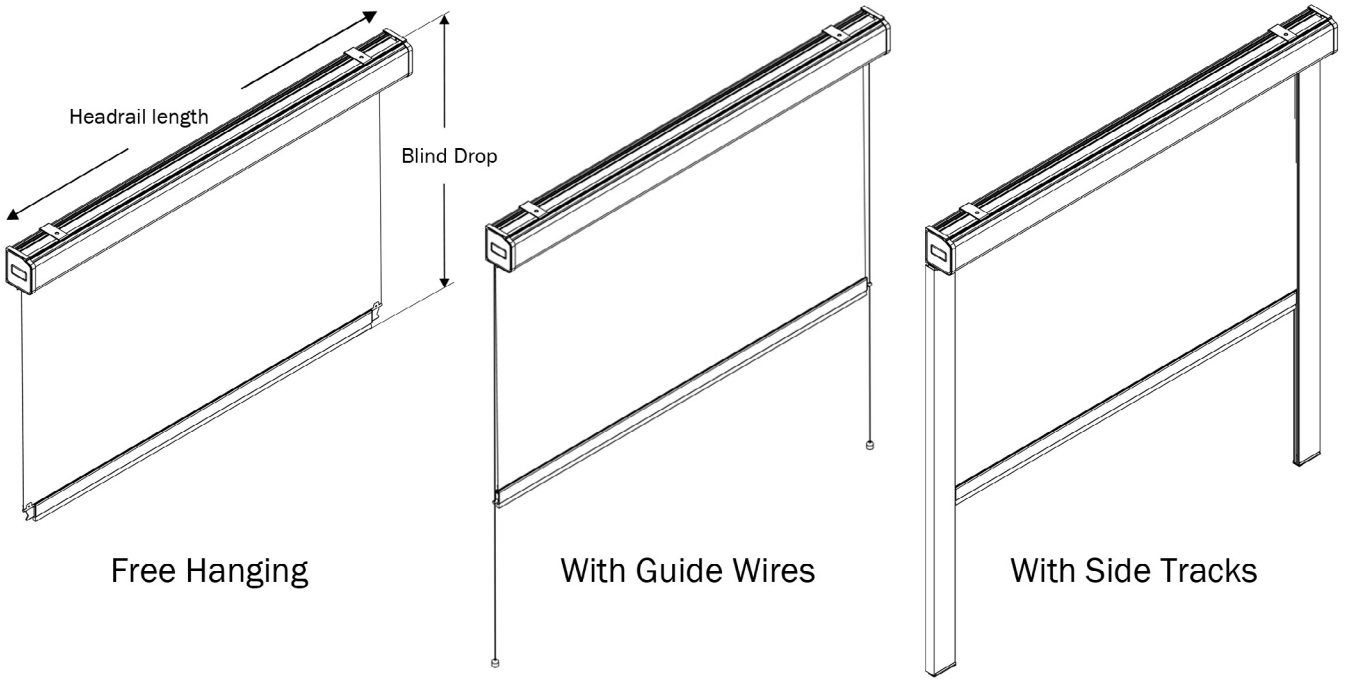


Flush Mounted Hold Down:
Chrome
Black
Brushed Nickel

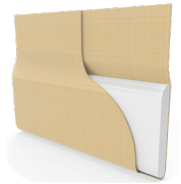
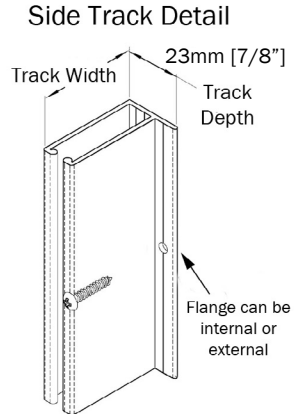


Dome Hold Down:
Chrome
Brushed Nickel

Notes:-
• Blind limits are dependent on fabric thickness, therefore are a guide only, beyond these sizes please contact manufacturer.



Cord Tidy
Mandatory child safety device
Fix to an adjacent wall, ensures taut chain or continuous cord. Available in Chrome or Brushed Nickel with either a White or Black rubber insert.



Pocketed Weight Bar