

# WINDOWSHADE 2 Powered

## Order Form and Product Guide

Customer \_\_\_\_\_  
 Address \_\_\_\_\_  
 \_\_\_\_\_  
 \_\_\_\_\_

Tel \_\_\_\_\_  
 Fax \_\_\_\_\_  
 Mobile \_\_\_\_\_  
 Email \_\_\_\_\_

Order \_\_\_\_\_  
 Quote \_\_\_\_\_  
 Project Name \_\_\_\_\_  
 Project Location \_\_\_\_\_  
 Date \_\_\_\_\_

1	2	3	4	5	6	7	8	9	10			11	12			13	14	15
									Restraint Options				Hardware colour	Hem bar profile				
ID	Location	Fabric	Recess or Blind	Width	Drop	Head rail model	Motor	Motor wire exit point	Free Hanging	Guide Wire	Side Tracks	White Beige Black		Round	Small	Large	Top Face	Forward Reversed
		OA Code  or Custom* <b>*Please fill in Custom fabric below</b>	Recess Blind			45 65 85	<b>code</b>  <b>Connector reqd</b> <b>(QS Motor only)</b> Yes No	Left Right		Chrome Dome Nickel Dome Chrome Flush Black Flush Nickel Flush		White Beige Black	Round	Small	Large	Top Face	Forward Reversed	
		OA Code  or Custom* <b>*Please fill in Custom fabric below</b>	Recess Blind			45 65 85	<b>code</b>  <b>Connector reqd</b> <b>(QS Motor only)</b> Yes No	Left Right		Chrome Dome Nickel Dome Chrome Flush Black Flush Nickel Flush		White Beige Black	Round	Small	Large	Top Face	Forward Reversed	
		OA Code  or Custom* <b>*Please fill in Custom fabric below</b>	Recess Blind			45 65 85	<b>code</b>  <b>Connector reqd</b> <b>(QS Motor only)</b> Yes No	Left Right		Chrome Dome Nickel Dome Chrome Flush Black Flush Nickel Flush		White Beige Black	Round	Small	Large	Top Face	Forward Reversed	

Column	Notes
3	See <a href="#">Online Fabric Collection</a> , solarshield fabric: available with large hembar, headrail is determined by motor and max X 1200mm [47 1/4].
4	The blind, head rail and side tracks are made slightly smaller than the recess to allow for installation. Side tracks are side fix only.
7	See tech info for actual headrail sizes.
8	Depending on motor selected, min & max blind limits can change, see page 2 for motor options.
11	Plastic moulding only available in black & white and will be colour matched to chosen hardware as best as possible.
12	Dometic reserves the right to slightly vary the chosen hembar depending on the selected fabric & blind size, to improve the blind function. Fabric covered hem bar only available with tested fabrics.
14	When reverse head rail is selected, the blind drop limits shown may be reduced on thicker fabrics and after installation, access may be required via the cover to fabric or motor.

### Custom fabric

Code / Name \_\_\_\_\_ / \_\_\_\_\_  
 Thickness / Width \_\_\_\_\_ / \_\_\_\_\_  
 Price per Sqm \_\_\_\_\_  
 Supplier: \_\_\_\_\_ Phone \_\_\_\_\_

Supply minimum of 1 m<sup>2</sup> of each fabric for suitability check

### Note:

- When near the upper blind 'X' limits, heavy fabric blinds may show signs of deflection (slight ripples) caused by the total weight of the roller, fabric and hem bar. A solution to avoid this is to split the recess into two blinds. For blinds larger than the limits shown - please consult Dometic.

# WINDOWSHADE 2 Powered

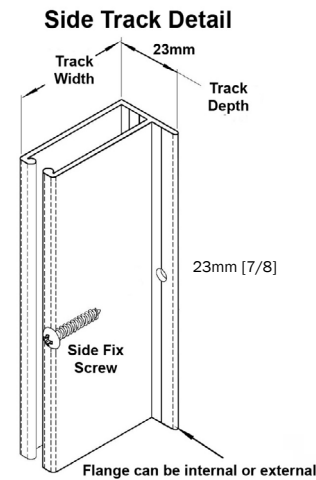
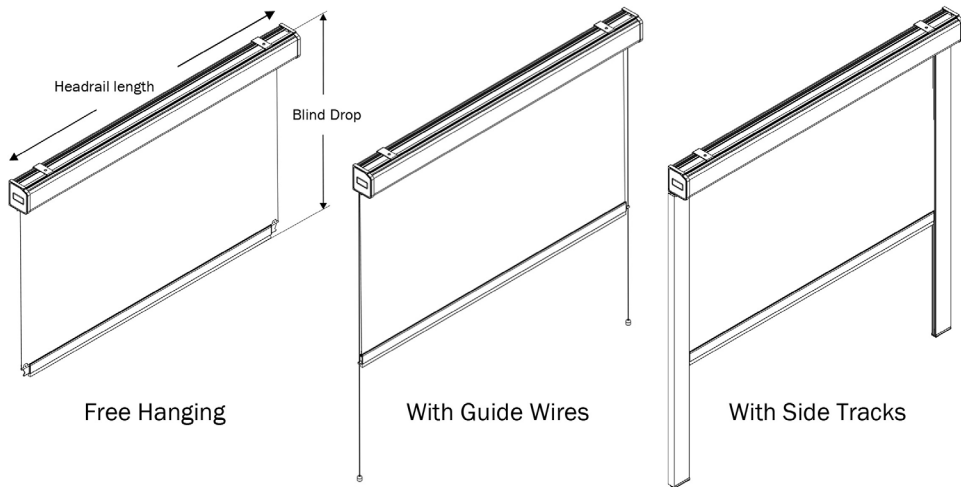
## Motors

Motor code	Motor Description	Switched (SW) or remote controlled (R)	Torque Nm	RPM	Supply voltage	Min X	Max Width X			Max Drop Y			
							Head rail model			Head rail model			
							45	65	85	45	65	85	
40T14	Pacific 230R 433MHz 230v AC	R	10	16	230v AC	680 mm [26 3/4"]	N/A	2400 mm [94 1/2"]	3000 mm [118 1/2"]	N/A	2000 mm [78 3/4"]	2700 mm [106 5/16"]	
40T24	Pacific 230R 868MHz 230v AC	R	10	16	230v AC								
40W4	Pacific 230R WT 230v AC	SW	10	16	230v AC								
38TW11	Atlantic 12R DCT 433MHz	SW or R	1.2	30	12v DC Regulated	451 mm [17 3/4"]	N/A	2400 mm [94 1/2"]	N/A	N/A	2000 mm [78 3/4"]	N/A	
38TW12	Atlantic 24R DCT 433MHz	SW or R	1.2	30	24v DC Regulated								
38TW21	Atlantic 12R DCT 868MHz	SW or R	1.2	30	12v DC Regulated								
38TW22	Atlantic 24R DCT 868MHz	SW or R	1.2	30	24v DC Regulated								
28WT	Somfy Roll Up 28WT	SW	0.8	30	24v DC Regulated	400 mm [15 3/4"]	1900 mm [74 3/16"]	N/A	2400 mm [94 1/2"]	3000 mm [118 1/2"]	N/A	2000 mm [78 3/4"]	2700 mm [106 5/16"]
S30D	Somfy Sonesse 30 DC	SW	2	28	24v DC Regulated	495 mm [19 1/2"]							
S30R	Somfy Sonesse 30 RTS	R	2	28	24v DC Regulated	495 mm [19 1/2"]							
S40W	Somfy Sonesse 40 WT 240v	SW	9	12	240v AC	680 mm [26 3/4"]							
S40W1	Somfy Sonesse 40 WT 110v	SW	9	14	110v AC	680 mm [26 3/4"]							
S40R	Somfy Sonesse 40 RTS 240v	R	9	12	240v AC	680 mm [26 3/4"]							
S40R1	Somfy Sonesse 40 RTS 110v	R	9	14	110v AC	680 mm [26 3/4"]							
LS64	Lutron QS 64 Standard version	**	1.1	42.2	24v DC	600 mm [23 5/8"]							
LS64S	Lutron QS 64 Short version	**	0.55	42.2	24v DC	521 mm [20 1/2"]							

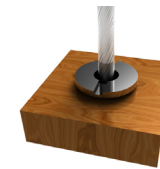
Notes: ● Blind limits are dependent on fabric thickness, therefore are a guide only. Beyond these sizes please contact Dometic.

**\*\* Specialist motors please contact Dometic for more details**

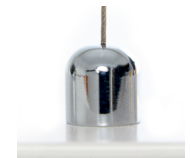
# WINDOWSHADE 2 Powered



## Guide wire hold downs

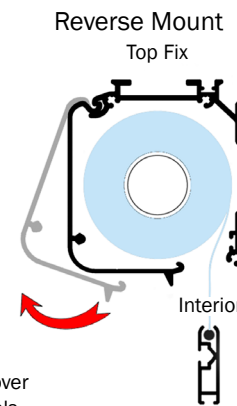
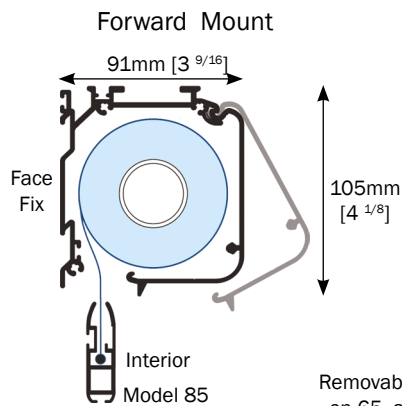
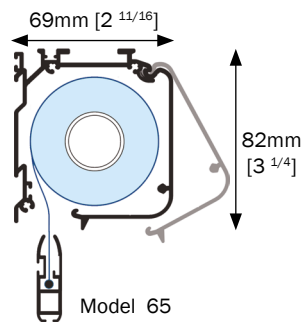
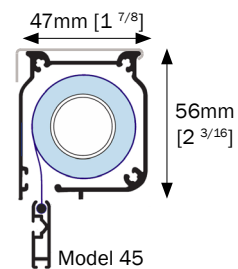


**Flush Mounted**  
 Chrome  
 Black  
 Brushed Nickel



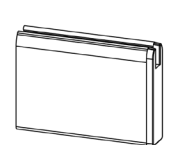
**Dome**  
 Chrome  
 Brushed Nickel

## Head rail dimensions including fixing bracket

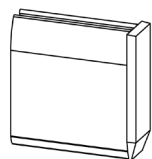


Removable Access cover on 65 and 85 models

## Hem bars



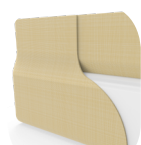
Small



Large



Round



Pocketed Weight Bar



Small or Large hem bar with brush strip



13mm gap under round hem bar



Lutron™ QS Motor Connector