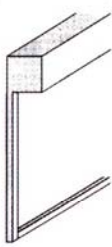


# WINDOWshade Options

**Normal**



**Operation**

- Hand
- Side Winder
- Cord
- Gearbox & Crank handle
- Electric

**Size Range**

Width 200 to 5000mm  
Drop 200 to 6000mm  
Above 9 SqM must be Electric or Gearbox

**Sloping**



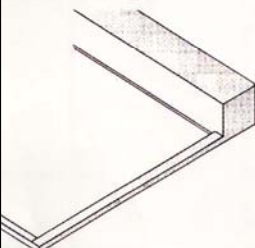
**Operation**

- Hand
- Side Winder
- Cord
- Gearbox & Crank handle
- Electric

**Size Range**

Width 300 to 3000mm  
Drop 300 to 6000mm  
Above 7 SqM must be Electric or Gearbox  
Above 25 degrees from vertical, see Rooflight.  
\* Guide figures subject to angle of slope

**Manual Rooflight**



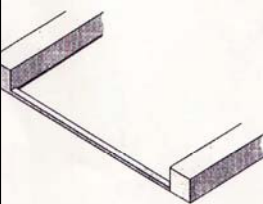
**Operation**

- Hand
- Cord
- Gearbox & Crank handle
- Electric - see Electric Rooflight
- 85mm minimum headbox size

**Size Range**

Width 300 to 3000mm  
Drop 300 to 3000mm  
Above 5 SqM must be as Electric Rooflight.  
\*guide figures subject to angle of slope.

**Electric Rooflight**



**Operation**

- Electric

**Size Range**

Width 500 to 3500mm  
Drop 300 to 3000mm  
\*guide figures subject to angle of slope.

**Curved**



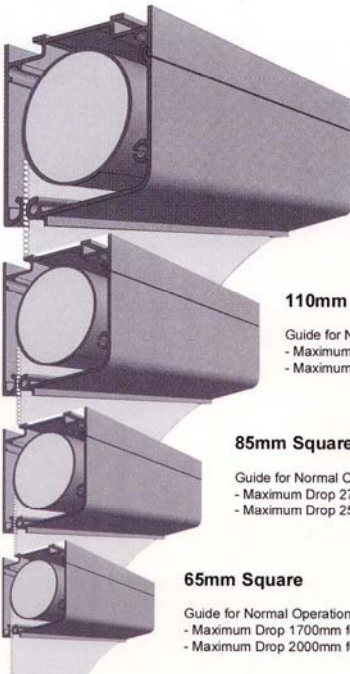
**Operation**

- Hand
- Side Winder
- Gearbox & Crank handle
- Electric

**Size Range**

Width 500 to 3000mm  
Drop 500 to 6000mm  
Above 9 SqM must be Electric or Gearbox.  
Size of blind will depend on radius of curve.

**Box Sizes**



**150mm Square**

Guide for Normal Operation

- Maximum Drop 6000mm for Electric.
- Maximum Drop 2500mm for twin system Electric (Two screens within the same box, one Blackout and one shading)

**110mm Square**

Guide for Normal Operation

- Maximum Drop 4500mm for Electric and Gearbox
- Maximum Drop 3500mm for Side Winder and Cord

**85mm Square**

Guide for Normal Operation

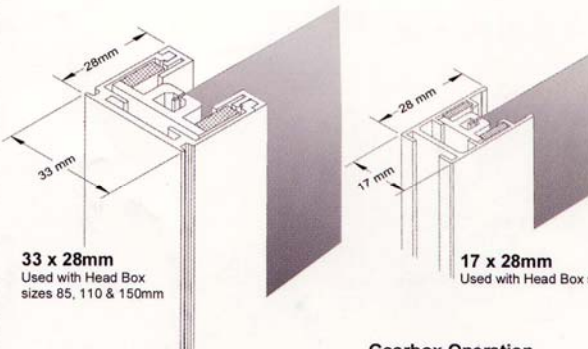
- Maximum Drop 2700mm for Electric and Gearbox
- Maximum Drop 2500mm for Side Winder and Cord

**65mm Square**

Guide for Normal Operation

- Maximum Drop 1700mm for Electric (12V.DC) and Side Winder.
- Maximum Drop 2000mm for Hand.

**Channel Options**



**33 x 28mm**  
Used with Head Box sizes 85, 110 & 150mm

**17 x 28mm**  
Used with Head Box size 65mm only

**Electric Operation**



**Gearbox Operation**



**Hand Operation**



**Side Winder Operation**



**Cord Operation**

