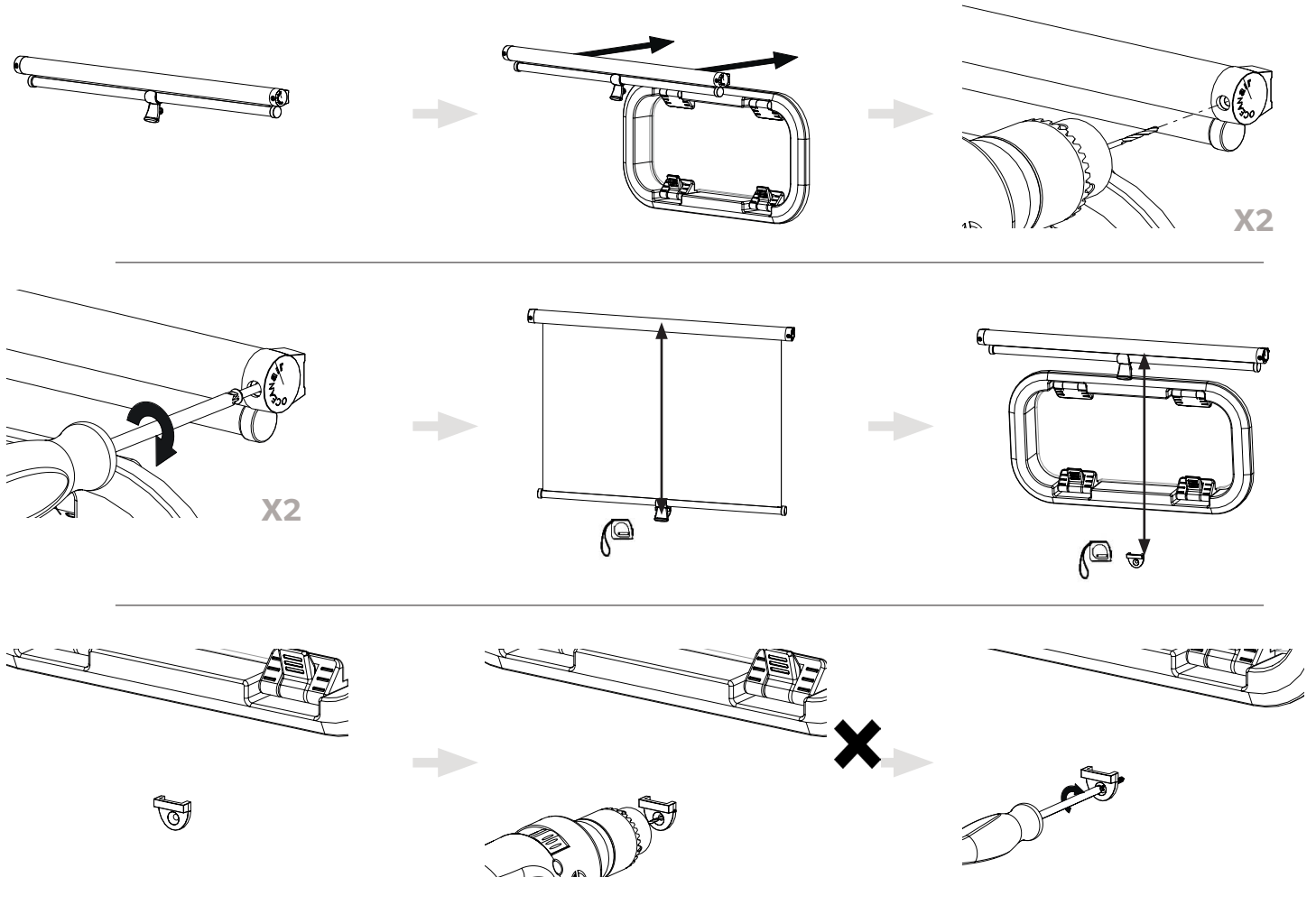
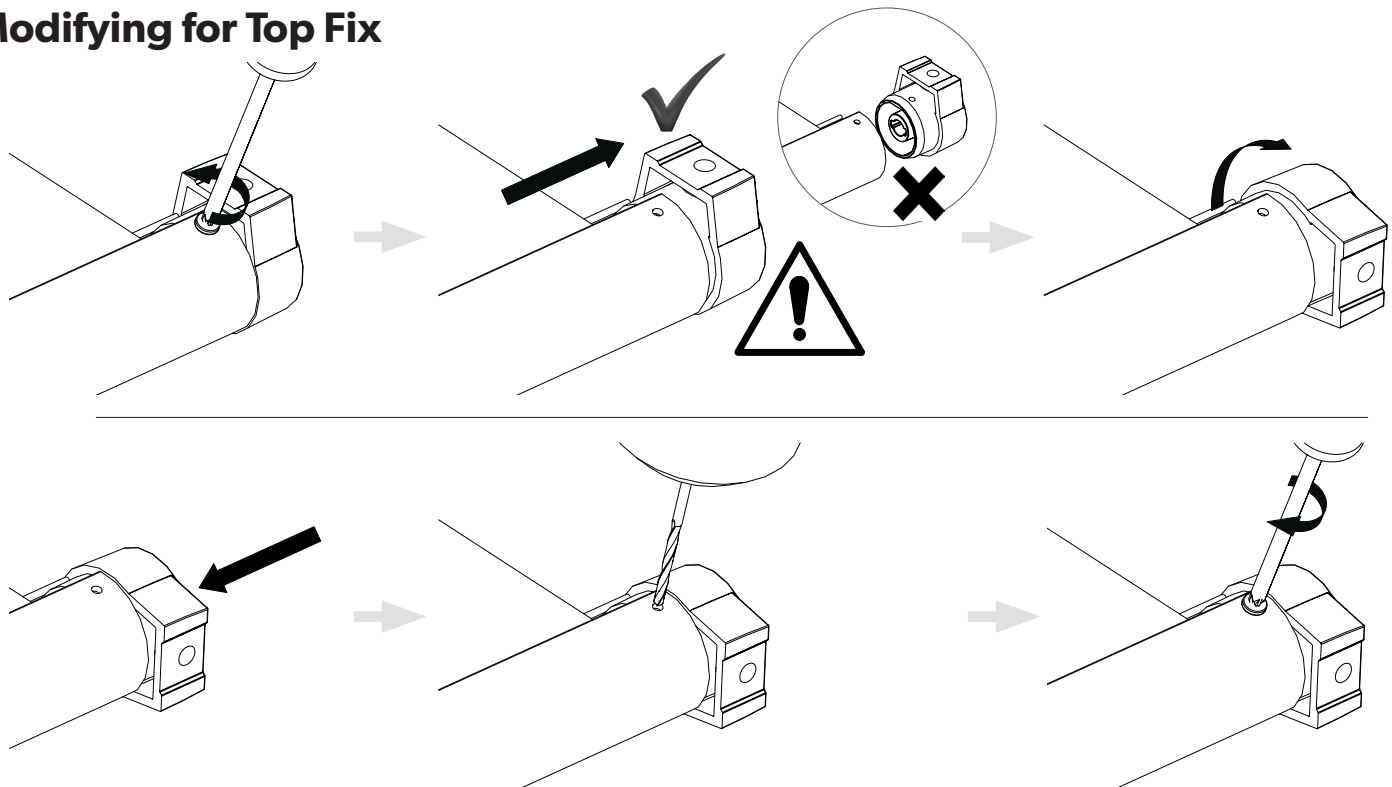


Fitting (face fix option)



Modifying for Top Fix



Repeat above for other side.