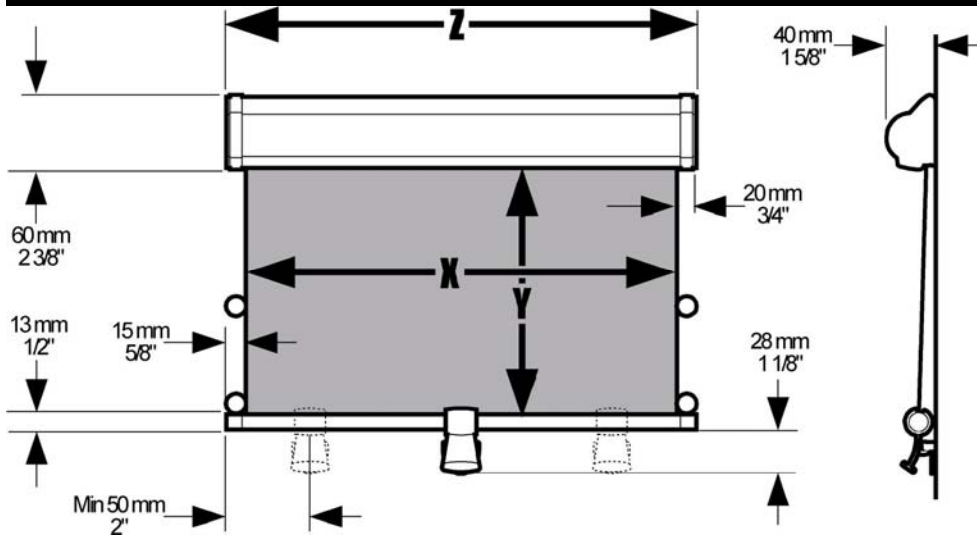
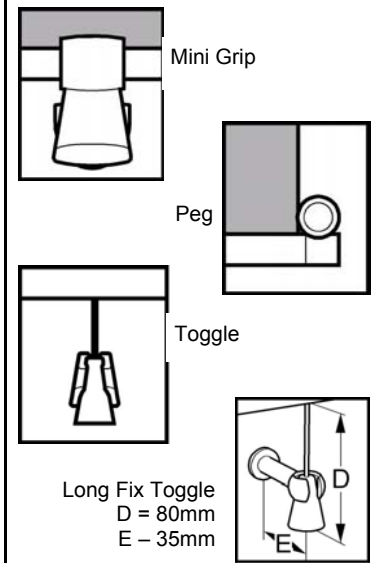


General Arrangement Drawing



Hold Down Options



Install Design Points

- Requires flat mounting surface
- Concealed screw fixing
- Can be mounted on a horizontal or vertical surface
- Blind can be pulled up, down or across
- Supplied with mini-grip and pegs. Alternative hold options are toggle and long fix toggle.
- Requires no clearance each end for fixing into position

Custom

- All Custom sizes
- Limited shaping is possible – see custom order form – but top and bottom must be parallel.
- Maximum fabric width is 1800mm (70⁷/₈") for a maximum drop of 1100mm (43¹/₄"). Longer drops, maximum of 1900 (74³/₄"), are available but only with a reduction in width
- For widths over 1500mm (59"), refer to factory for advice
- Blinds over 800mm (31¹/₂") wide have two hold downs
- Refer to HATCHshade for smaller blinds
- Choice of crossbar/handle options – see above
- Colour options for the cassette are: beige RAL 9001, white RAL 9016, grey RAL 7035 and matt black
- Fabric choice - Solar Shield, White Odyssey, Rayure, Soltis white mesh shade fabric with silver grey backing, or PVC in white, cream, grey, black
- Owner supplied fabric can be fitted subject to suitability

How to Order

- To order use custom order form

Technical Specification

- Aluminium components are etched, alichromed and polyester powder coated
- Stainless steel recoil springs
- Standard Solar Shield off white polyester blackout water repellent fabric. Other Fabric specifications subject to choice