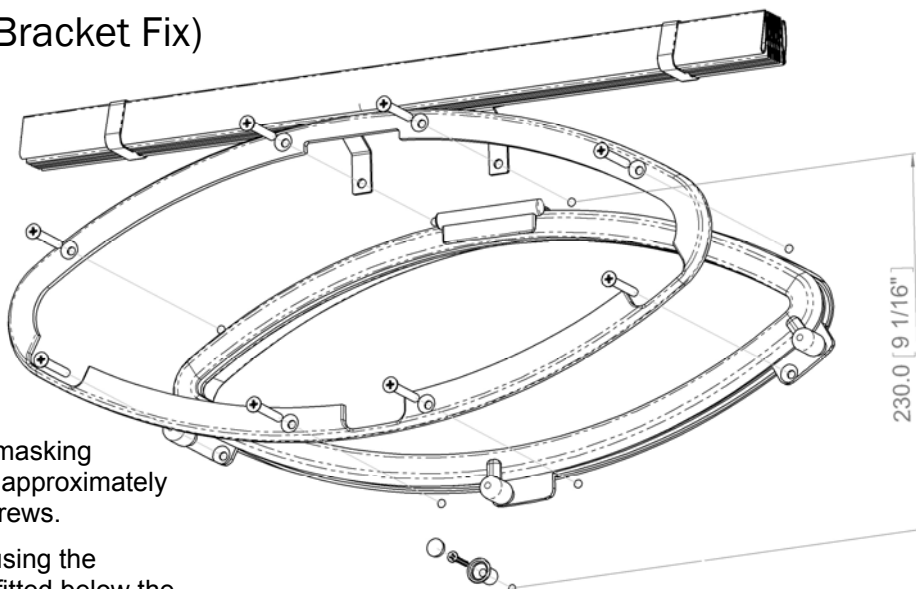


## SKYSOL PLEATEDSHADE (Bracket Fix)

### Mounting Instructions

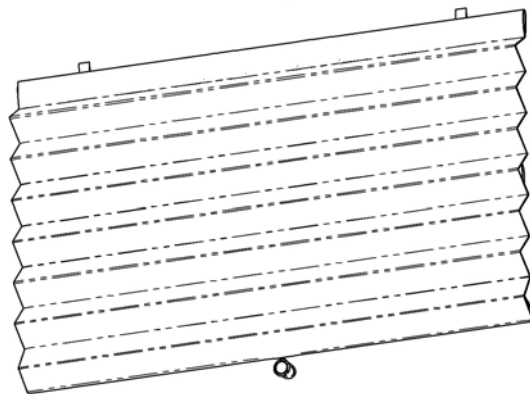
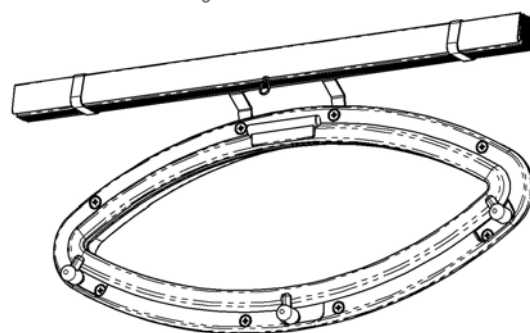
- The brackets are designed to fit in behind the internal portlight flange using the portlight fixings for location. Take care to ensure that the sealing of the portlight is not compromised.
- When fitting the peg ensure that the thickness of the boat structure is deep enough to prevent the fixing screw breaking through. Limit the drilling depth by putting masking tap on the drill bit. The peg should be fitted approximately 230mm (91/16") down from the top fixing screws.
- The deployed blind can be held in position using the loop. This can be looped over either a peg fitted below the portlight or a suitable feature on the hatch.
- The blind is held in the stowed position using the two velcro straps on the head rail.



### Care & Maintenance

- Fabric may be cleaned with a foam upholstery cleaner. For light cleaning, use water and a sponge and rub gently in the direction parallel with the pleats.
- If the blind gets wet, pull out the blind fully and leave to dry naturally.

For further information or installation assistance, please contact your local Distributor or our Customer Services Department.



### Mounting Instructions (alternative)

- The brackets can be fitted onto the flange if required. We suggest you use pan head fixings (to suit the portlight).

