

SURFACE SKYSCREEN

Order form

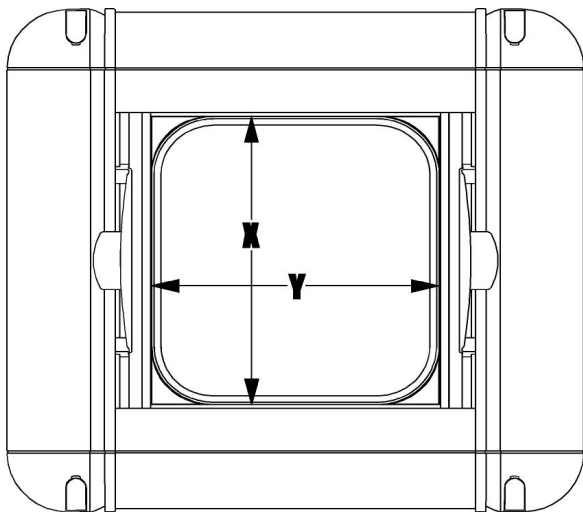
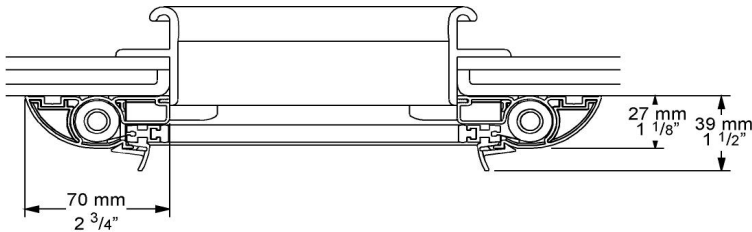
Customer		Is this an Order or a Quote?		Date	
Customer Ref		Quote	Order	Order No	
Address					
Telephone		Mobile		Fax	

Please note that despatch of custom units will be confirmed on receipt of order

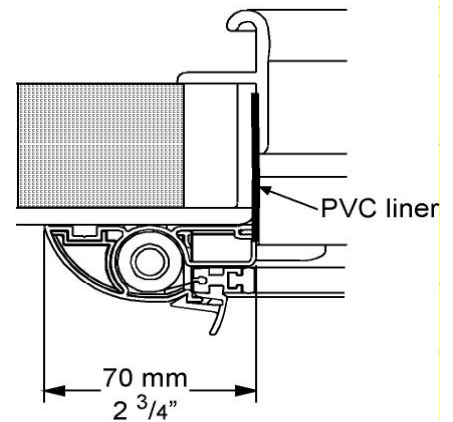
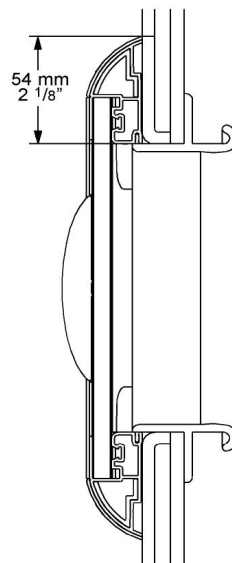
Hatch Ref No	Internal		Qty	Frame Colour ³		Version 1	For Versions 2 and 3 Radius ^{4 5}			Version 3 Liner	
	Width (X) ¹	Drop (Y) ²		White	Beige		30	42	50	63mm	119mm
1				<input type="checkbox"/> White	<input type="checkbox"/> Beige		<input type="checkbox"/> 30	<input type="checkbox"/> 42	<input type="checkbox"/> 50		
2				<input type="checkbox"/> White	<input type="checkbox"/> Beige		<input type="checkbox"/> 30	<input type="checkbox"/> 42	<input type="checkbox"/> 50		
3				<input type="checkbox"/> White	<input type="checkbox"/> Beige		<input type="checkbox"/> 30	<input type="checkbox"/> 42	<input type="checkbox"/> 50		
4				<input type="checkbox"/> White	<input type="checkbox"/> Beige		<input type="checkbox"/> 30	<input type="checkbox"/> 42	<input type="checkbox"/> 50		

- ¹ X Max width 700mm (27½")
 - ² Y Max drop 700 mm (27½") for full blind and flyscreen
 - ³ Frame Colour White RAL 9010, Beige RAL 1013
 - ⁴ Radius: The standard corner radii are 30mm, 42mm, 50mm, (1¼", 1⅝", 2")
 - ⁵ Version 1 – No corner radii, no liner
Version 2 – Radii, no liner
Version 3 – Radii with liner – 63mm (2½" or 4¾")
- Note: Dimensions converted to nearest 1/8" - if size critical order using metric measurements

Carriage	
Sub Total	
VAT	
Total	
Job No	
Despatch Date	



Version 21



Version 3