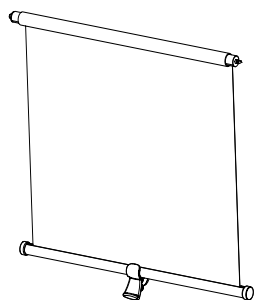


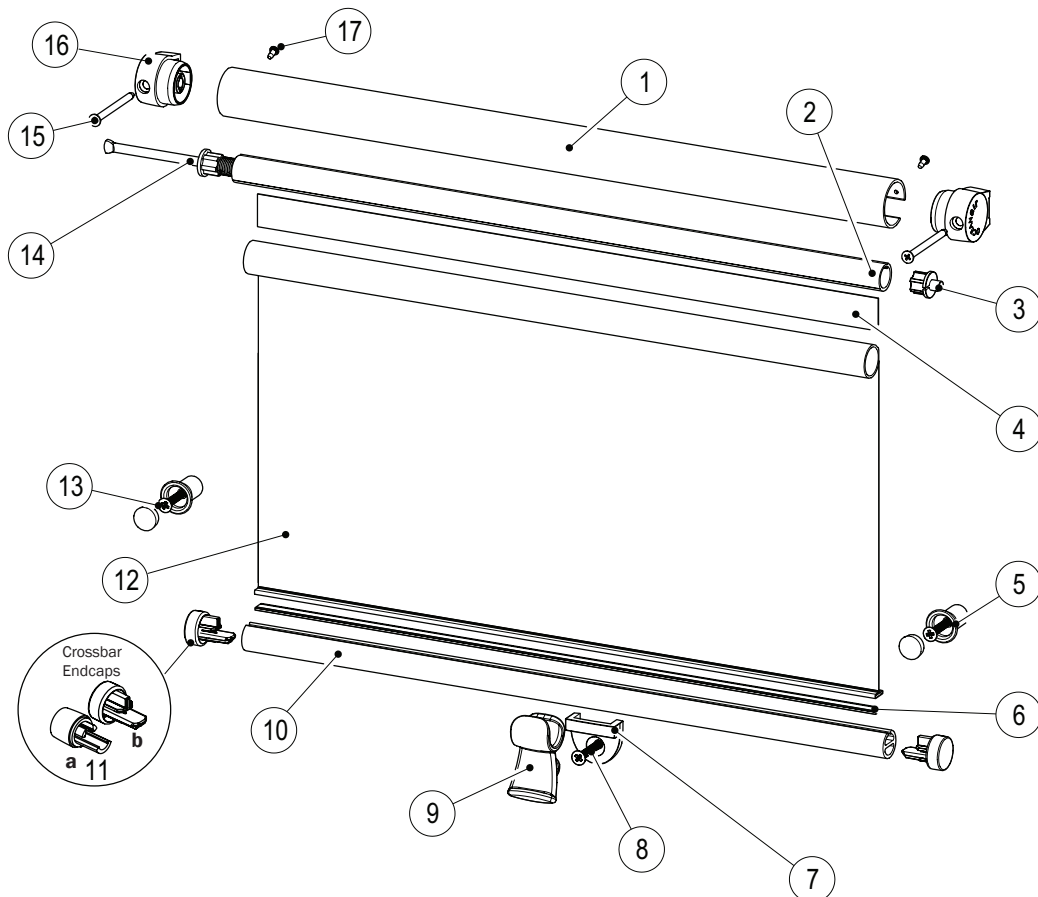
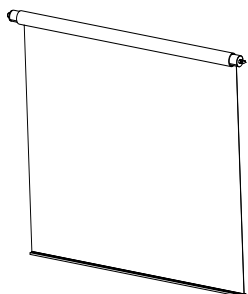
DOMETIC PORTSHADE Exploded Parts Diagram

Blind Assembly

With Crossbar

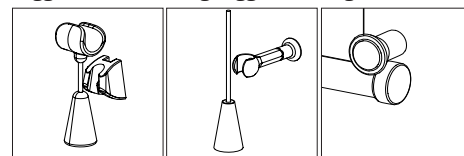


Without Crossbar



Hold down options

Toggle Long Toggle Peg



Recommended Spare part Kits

Blind Assembly *

Oceanair Kit Part No.	Kit Description	Item No,s
AC-PSH**-BLINDASS+XB	With crossbar	2, 4, 6, 9, 10, 11, 12, 14, 16,
AC-PSH**-BLINDASS	Without crossbar	2, 4, 6, 12, 14, 16

** Replace with either standard size number or X/Y dimensions of screen

Fixing Kits

Oceanair Kit Part No.	Kit Description	Item No,s
AC-PSH-FIXING KIT-B/ G / W	Fixing Kit Beige, Grey or White	8, 9, 15

Minigrip

Oceanair Kit Part No.	Kit Description	Item No,s
AC-PSH-MINIGRIP&CATCH-B/ G / W	With Catch Beige, Grey or White	7, 9
AC-PSH-MINIGRIP-B	Without Catch Beige, Grey or White	9

Roller Cover Endcaps

Oceanair Kit Part No.	Kit Description	Item No,s
AC-PSH-MPART-B/ G / W	Roller Cover endcap Beige, Grey or White	3,16

Crossbar Endcaps

Oceanair Kit Part No.	Kit Description	Item No,s
TYPE a AC-PSH-XBAR ENDCAPS-B/ G / W*2	Crossbar endcap Beige, Grey or White	11 (2 off)
TYPE b AC-CSH-XBAR ENDCAPS-B/ G / W*2	Crossbar endcap Beige, Grey or White	11 (2 off)

* When ordering a blind assembly with crossbar, please state the crossbar endcap type.

Item	Description	Qty
1	Roller Cover	1
2	Roller	1
3	Roller Bearing	1
4	Double sided tape	1
5	Peg	2
6	Tape	1
7	Minigrip Hold Down Catch	1
8	Screw No6 x 19mm Csk	1
9	Minigrip Hold Down	1
10	Crossbar	1
11	Crossbar End Cap	2
12	Fabric	1
13	Screw No6 x 25mm CSK	2
14	Spring A	1
15	Screw No4 x 1.5in ST P CSK SS	2
16	Roller Cover End Cap	2
17	Screw No2 x 3/16 Pan Pozi	2