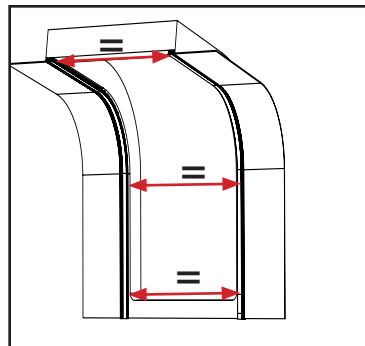
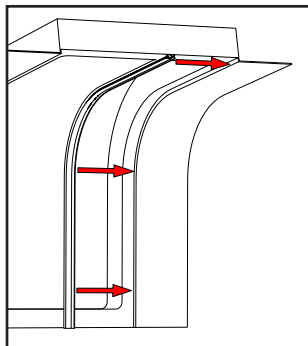
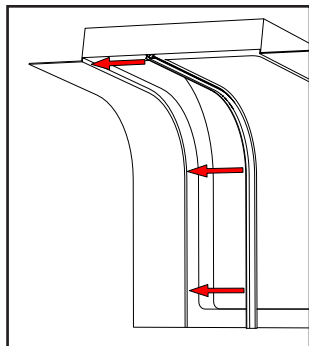


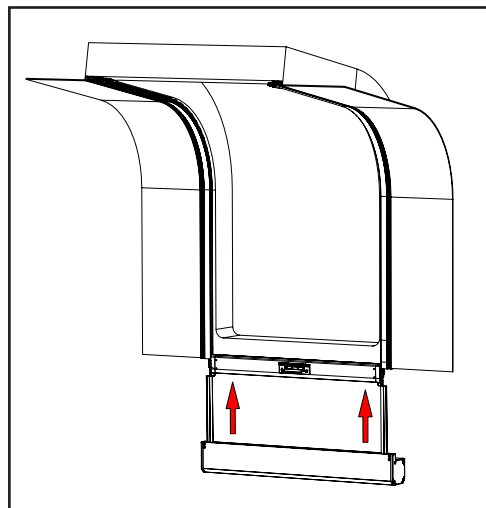
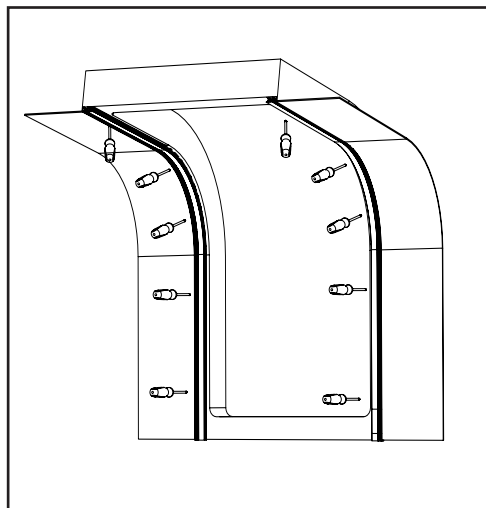
1. Fit track to substrate

Ensure Tracks are fitted parallel.

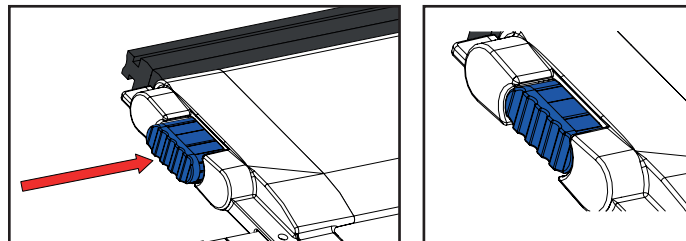
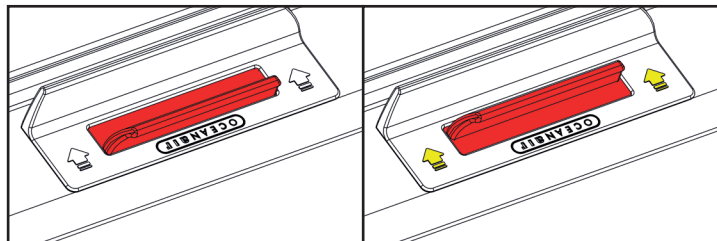


2. Using holes provided screw track into place.

The following steps show how to fit the hember, fabric and Headbox to the tracks, ensure that both side are fitted at the same time.

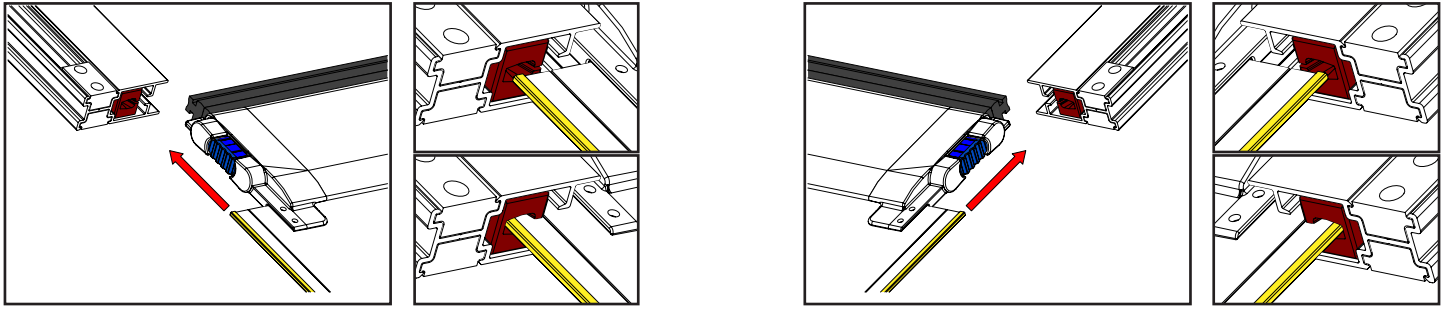


3. Operate handle to retract brake.

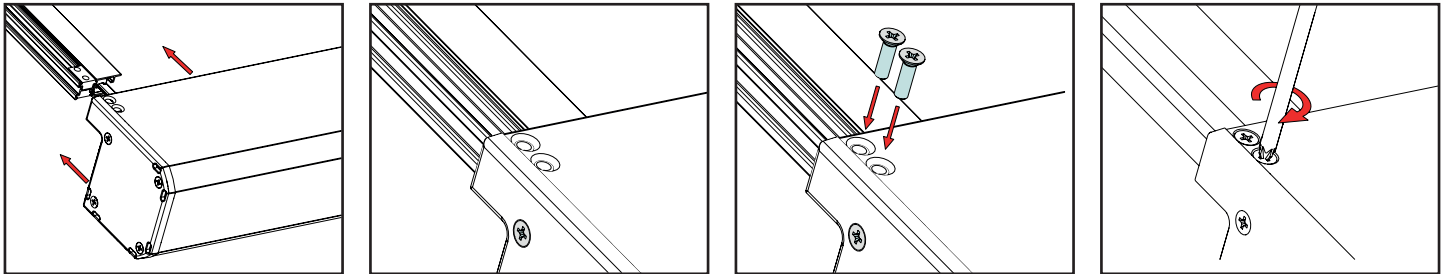


Companionway Fitting Instructions

4. With handle operated, feed hembar into track followed by fabric zip.
 Note Ensure Headbox and fabric are fitted to both sides evenly.



5. Fit hembar and screw into place on both sides.



6. Repeat from step 3 for the other Headbox.

7. Once both Headboxes are fitted, Cut cover strip to size and fit to both tracks.

