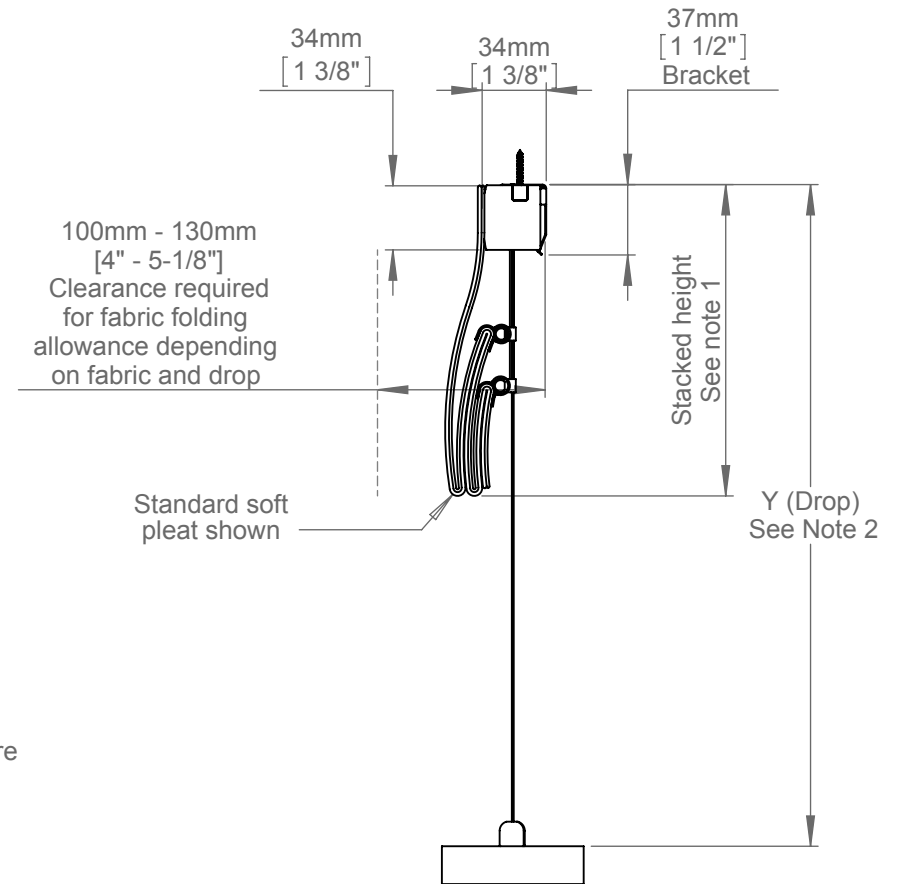
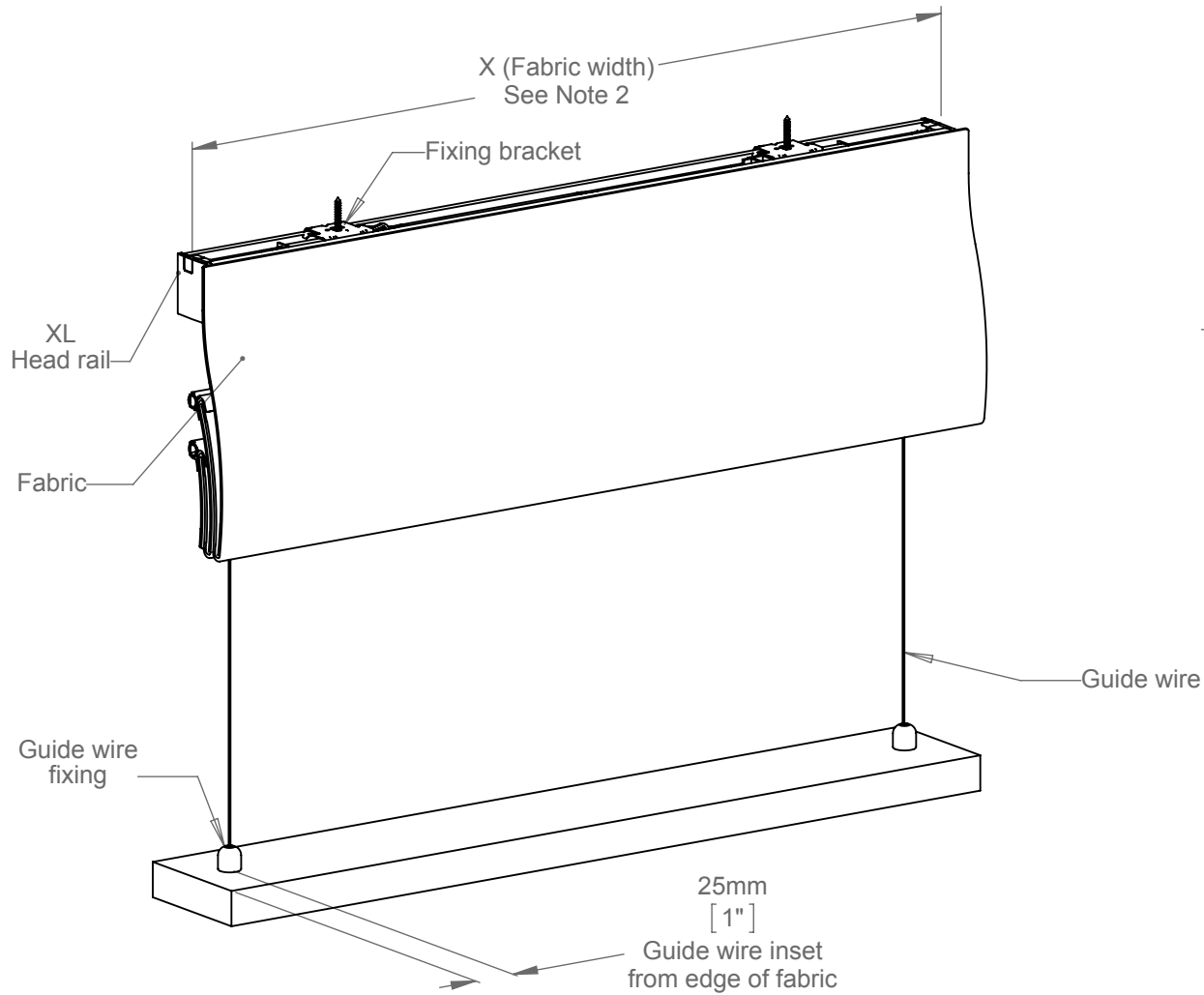
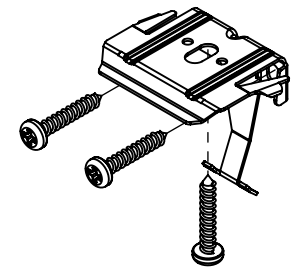


# DOMETIC ROMANBLIND XL Powered - Guide wire



Fixing bracket suitable for top or face fix.



## Notes:

- 1 Refer to Oceanair for further stack height information.
- 2 Refer to product guide for Min/Max dimensions.
- 3 Bracket quantity dependant on width of blind.