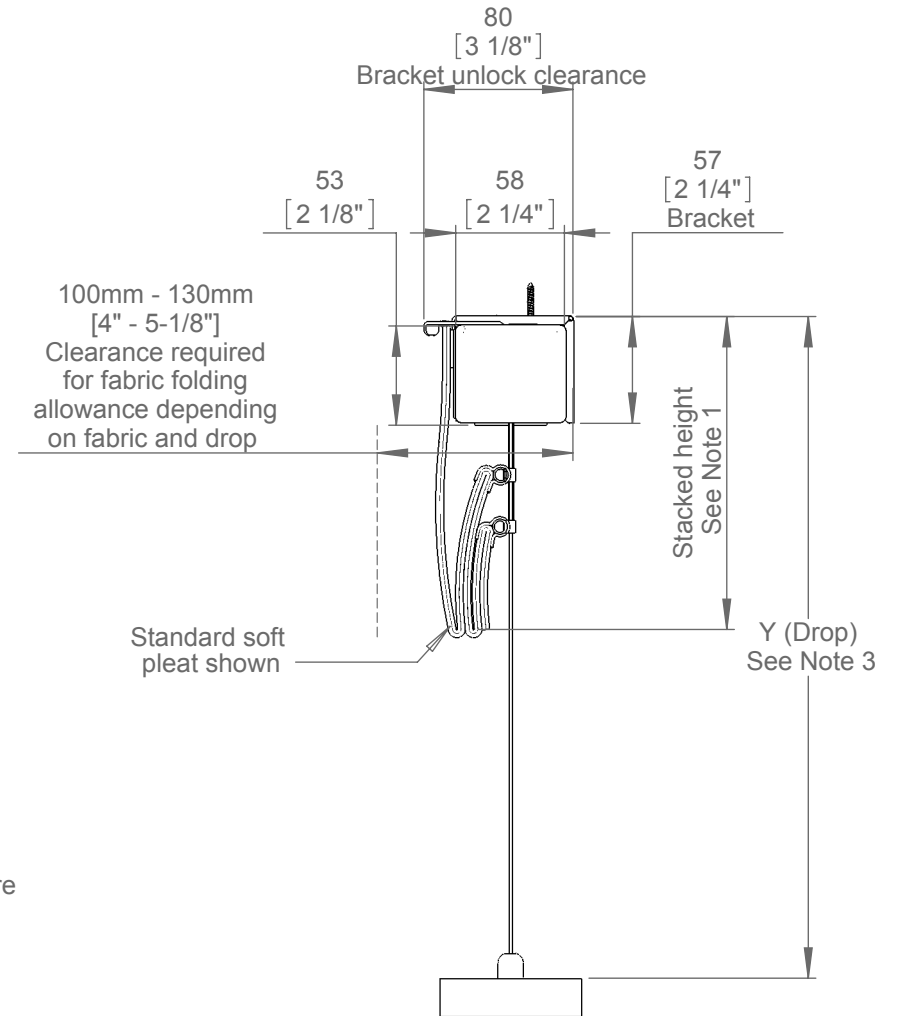
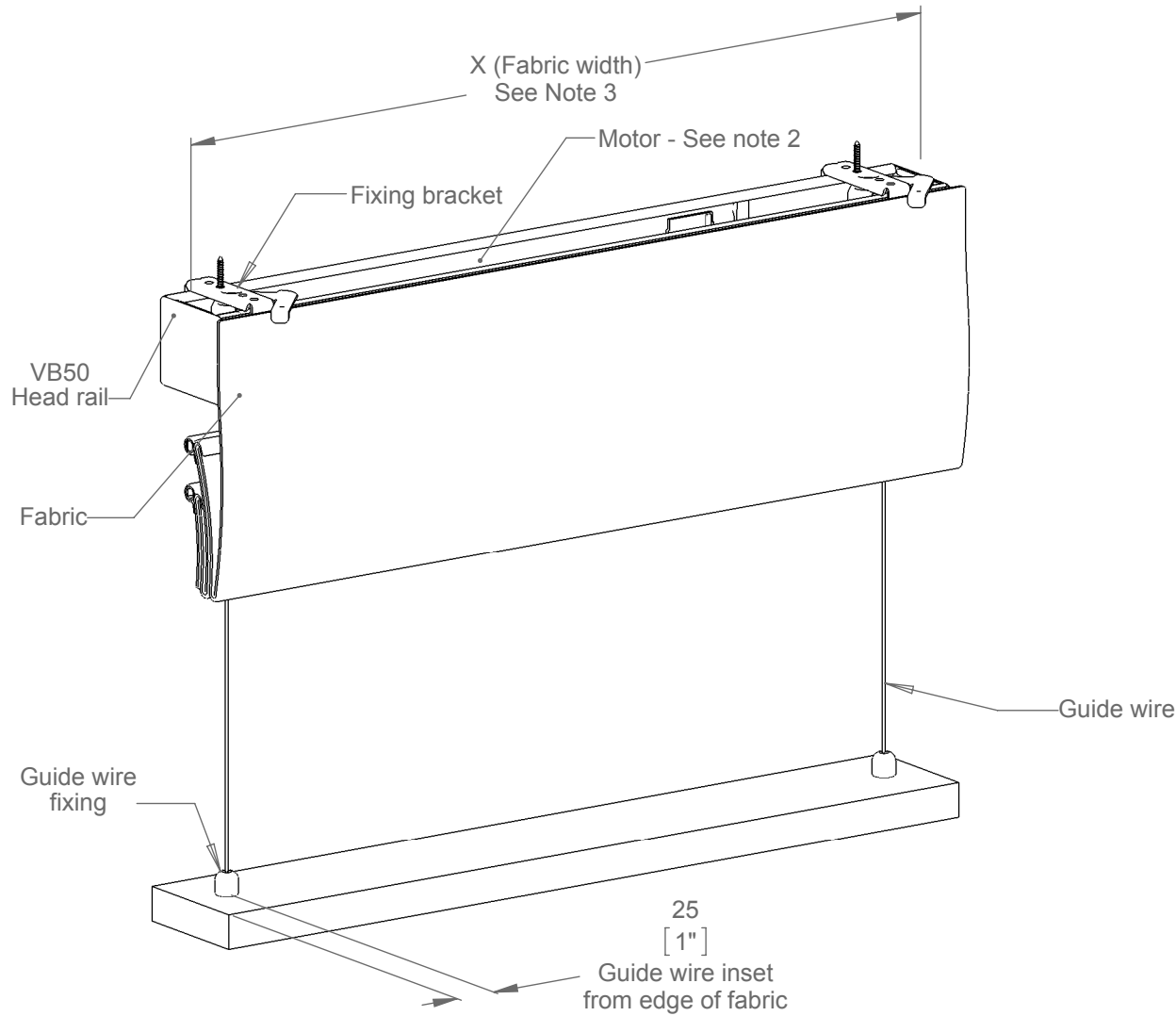
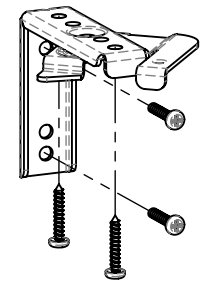


# DOMETIC ROMANBLIND

VB50  
Powered - Guide wire



**Fixing brackets suitable for top or face fix**



**Notes:**

1. Refer to Oceanair for further stack height information
2. Min X dependant on motor. See product guide for details.
3. Refer to product guide for Min/Max dimensions.
4. Bracket quantity dependant on width of blind.