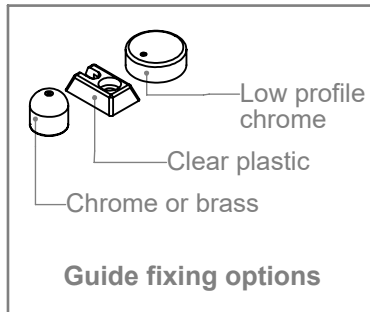
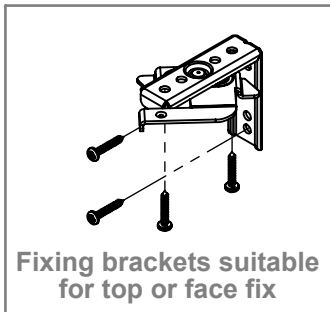
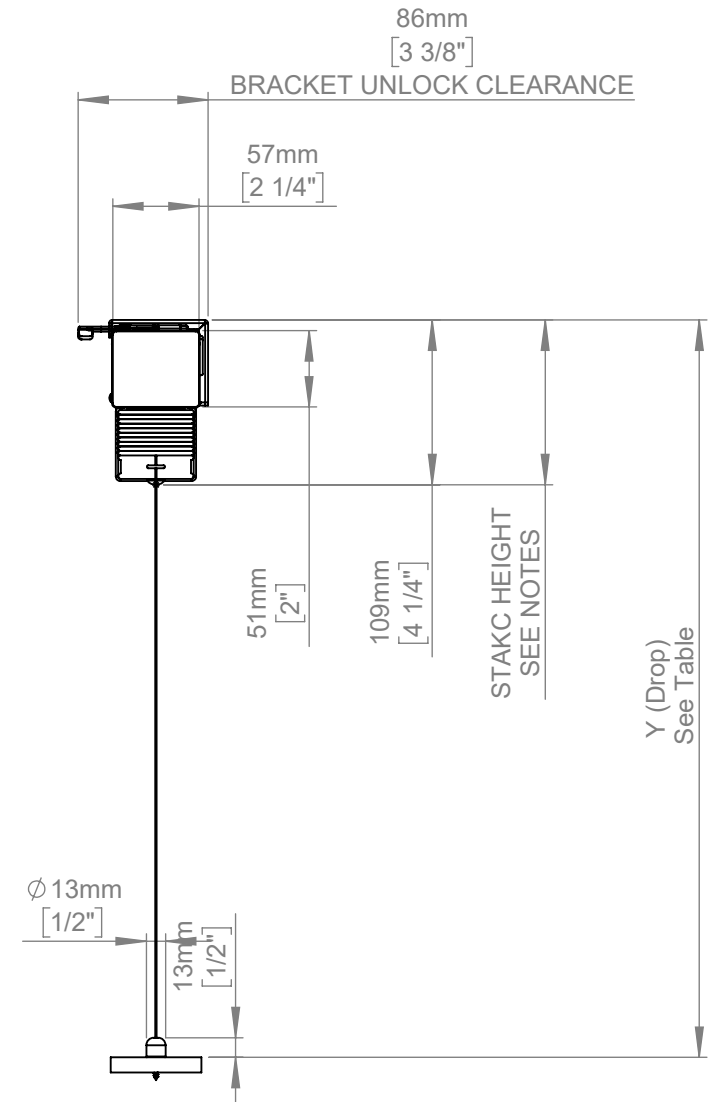
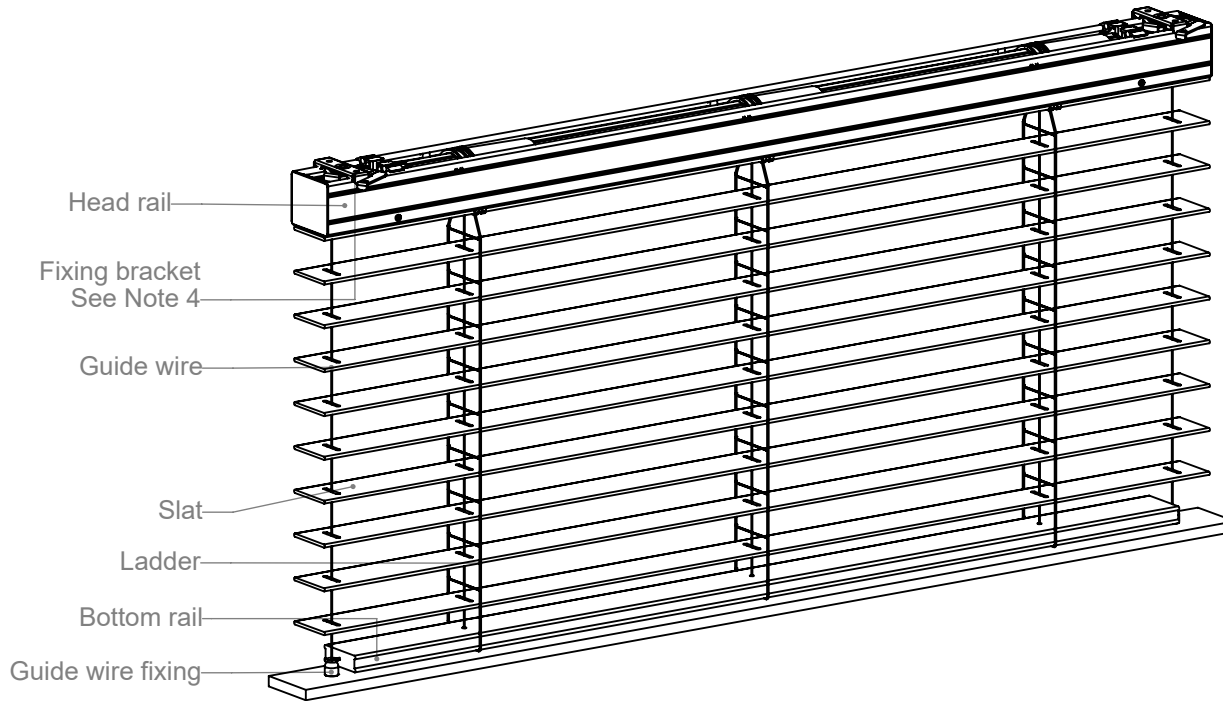


DOMETIC SKYVENETIAN

WOOD
Powered - 50mm Slat - Guide Wire



X(Width) & Y(Drop) Limits		
X (Min)	X (Max)	Y
650mm [25 5/8"]	3000mm [118 1/8"]	See Note 2

Notes:

- 1 Refer to Oceanair for further stack height information.
- 2 Refer to Oceanair for minimum and maximum drop information.
- 3 Motor exit wire can exit either side, please specify.
- 4 Bracket quantity dependent on width of blind.