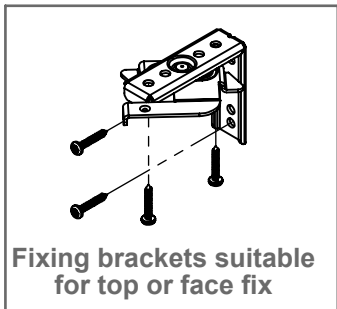
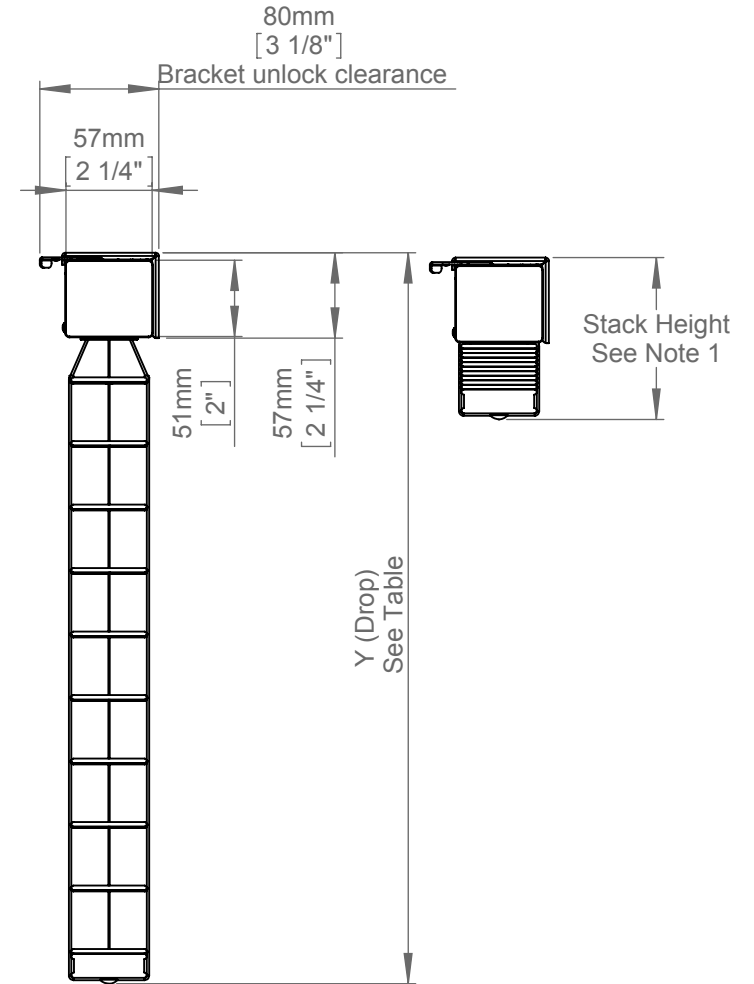
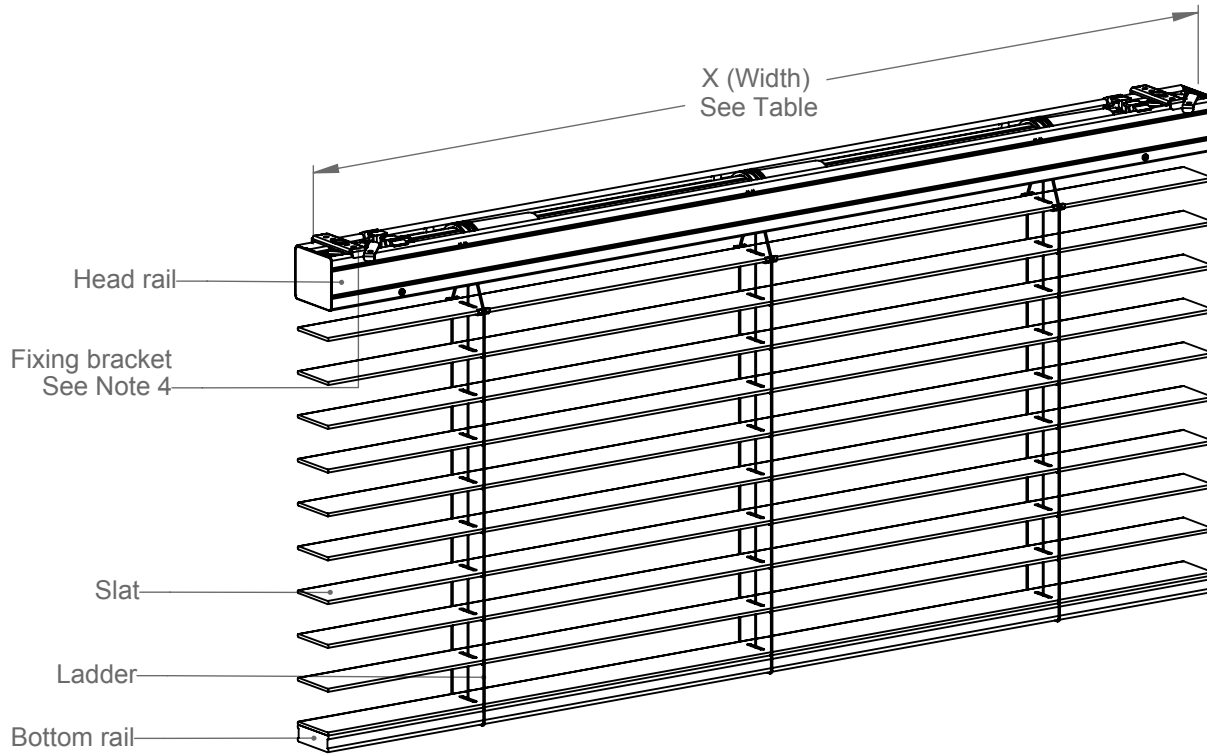


DOMETIC SKYVENETIAN WOOD

Powered - 50mm Slat - Free Hanging - 24V Sonesse 30 DCT/RTS



X(Width) & Y(Drop) Limits		
X (Min)	X (Max)	Y
650mm [25 5/8"]	3000mm [118 1/8"]	See Note 2

- Notes:
- 1 Refer to Oceanair for further stack height information.
 - 2 Refer to Oceanair for minimum and maximum drop information.
 - 3 Motor exit wire can exit either side, please specify.
 - 4 Bracket quantity dependent on width of blind.