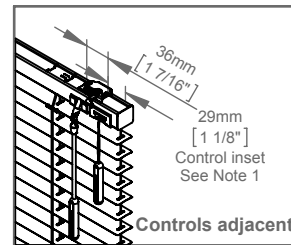
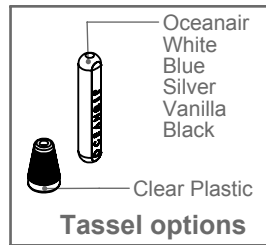
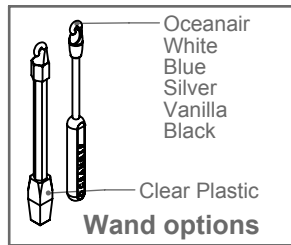
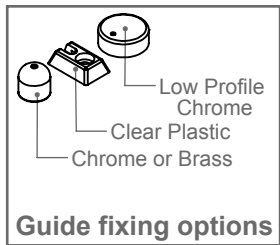
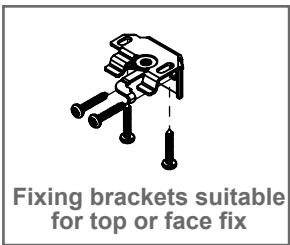
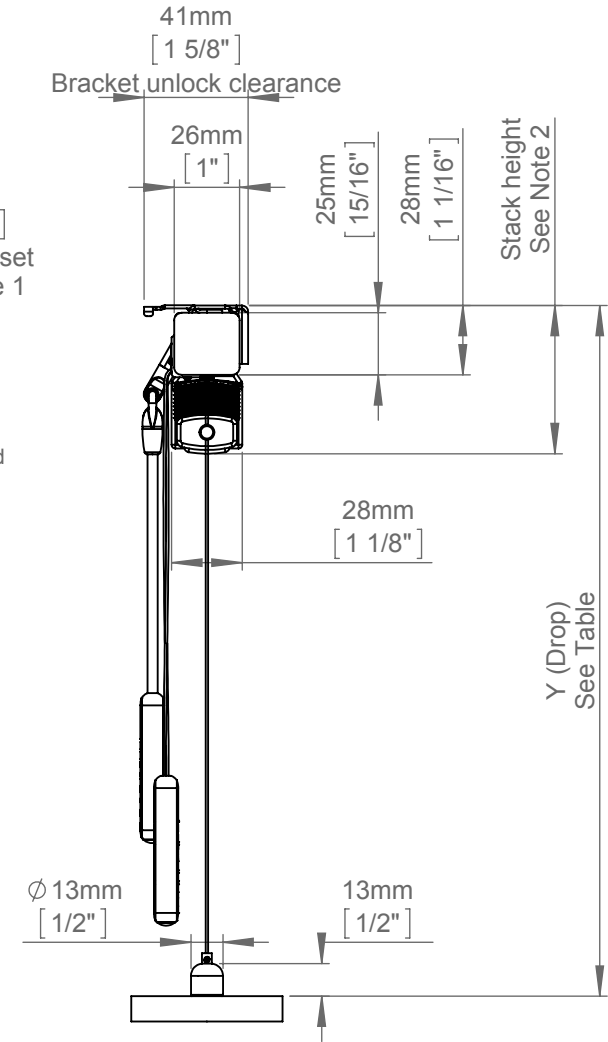
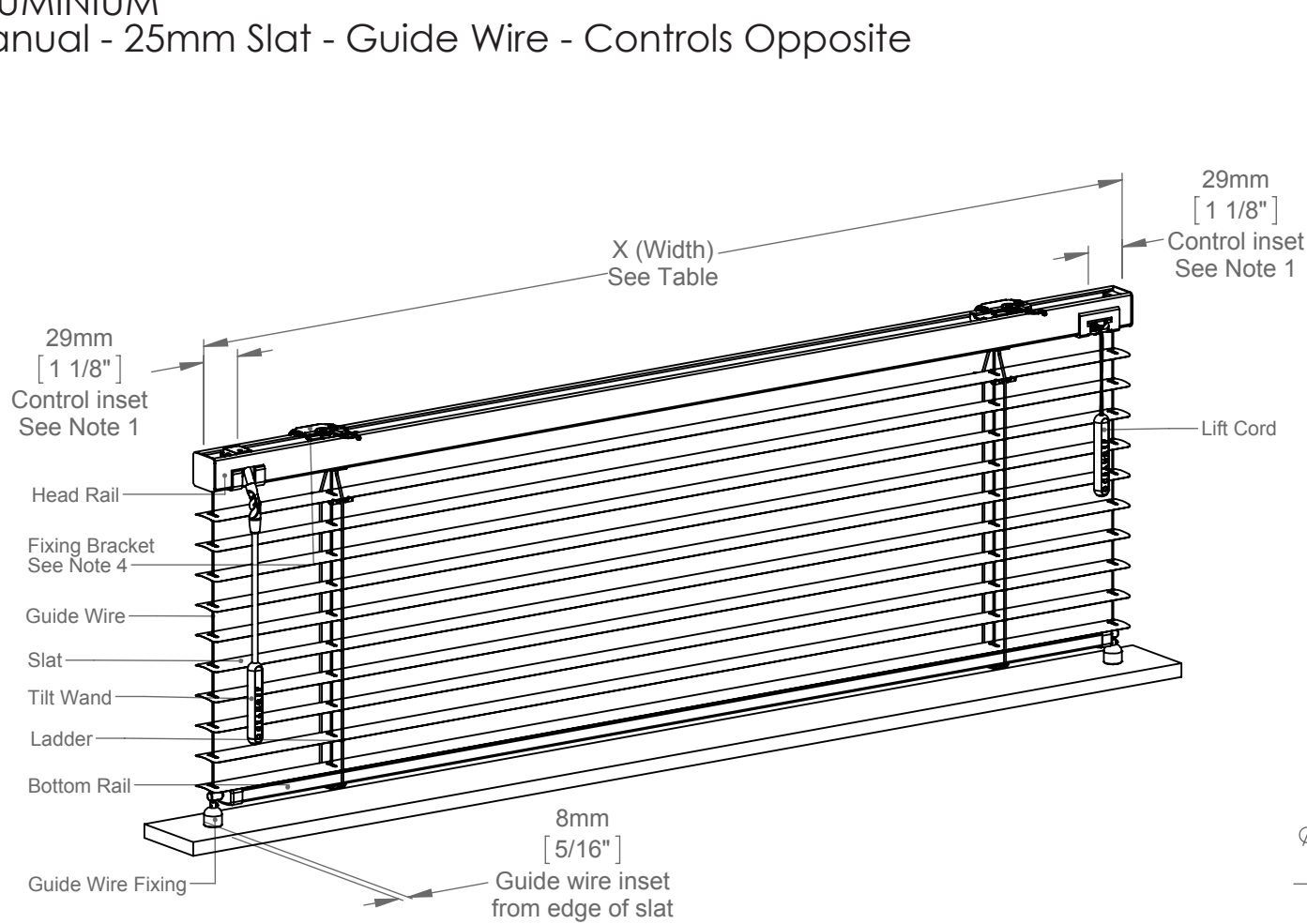


# DOMETIC

## SKYVENETIAN

### ALUMINIUM

#### Manual - 25mm Slat - Guide Wire - Controls Opposite



X(Width) & Y(Drop) Limits		
X (Min)	X (Max)	Y
320mm [12 5/8"]	3150mm [124"]	See Note 3

- Notes:
- 1 The position and length of the lift cord and tilt wand can be varied if necessary.
  - 2 Refer to Oceanair for further stack height information.
  - 3 Refer to Oceanair for minimum and maximum drop information.
  - 4 Bracket quantity dependent on width of blind.
  - 5 Dimensions in millimeters (Imperial equivalents are shown for reference only).