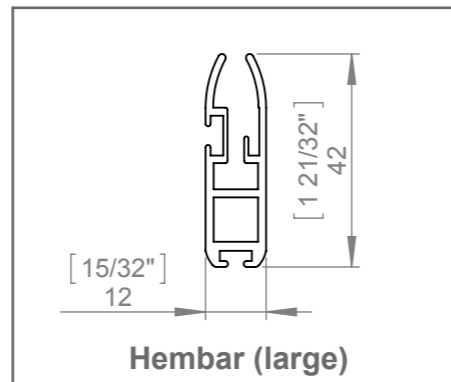
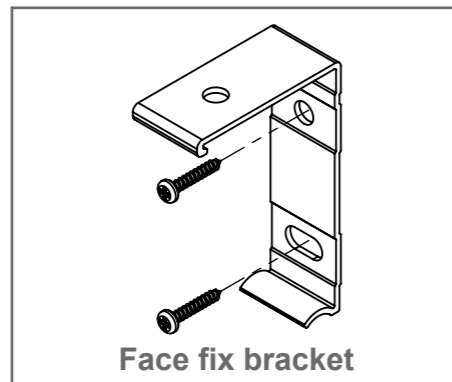
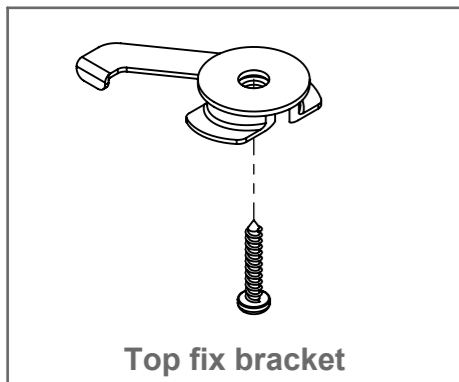


VIEW FROM INBOARD



X(Width) & Y(Drop) Limits		
X(Min)	X(Max)	Y
600 $\left[\frac{23 \ 5}{8} \right]$	2400 $\left[\frac{94 \ 1}{2} \right]$	See Note 2

- Notes:
- Overall head rail size (X) = Recess - 4 $\left[\frac{5}{32} \right]$.
 - Maximum drop (Y) fabric dependant, consult Oceanair.
 - Hembar (small) shown, hembar (large) available depending on blind size and fabric, consult Oceanair.
 - Bracket quantity dependent on width of blind.
 - Allow sufficient space for installation.
 - Dimensions in millimeters (Imperial equivalents are shown for reference only).