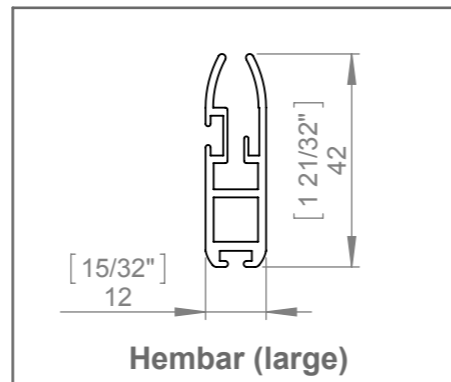
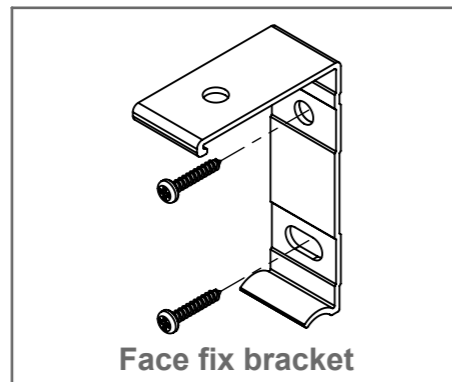
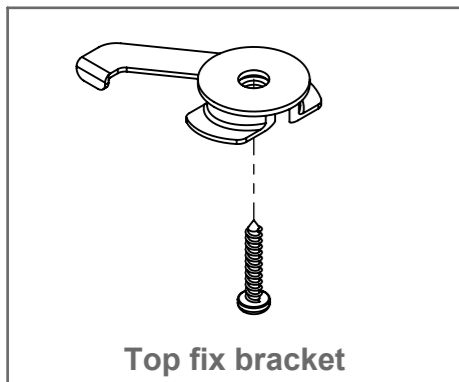

VIEW FROM INBOARD


| X(Width) & Y(Drop) Limits | | |
|---------------------------|----------------|------------|
| X(Min) | X(Max) | Y |
| 550 [21 21/32"] | 2400 [94 1/2"] | See Note 2 |

- Notes:
- Overall head rail size (X) = Recess - 4 [5/32"].
 - Maximum drop (Y) fabric dependant, consult Oceanair.
 - Hembar (small) shown, hembar (large) available depending on blind size and fabric, consult Oceanair.
 - Bracket quantity dependent on width of blind.
 - Allow sufficient space for installation.
 - Dimensions in millimeters (Imperial equivalents are shown for reference only).