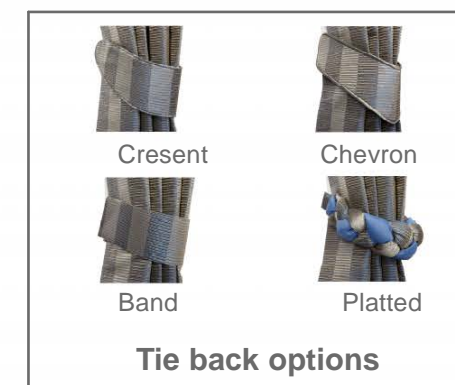


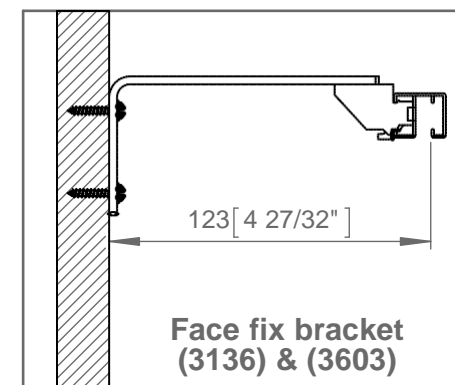
Curtain heading - Ripple Pleat



Curtain heading - Pencil Pleat



Curtain heading - Pinch Pleat



- Notes:
- 1 Refer to Dometic for minimum and maximum drop, fabric dependent. 2 The fixing distances are meant as a guide only, they may vary in practice depending on surface and curtain weight.
  - 3 Dimensions in millimeters (Imperial equivalents are shown for references only).
  - 4 Oceanair reserves the right to modify or change dimensions and specifications without prior notice.

X(Width) & Y(Drop) Limits		
X (Min)	X (Max)	Y
300 [11 13/16"]	6000 [236 7/32"]	See Note 1

