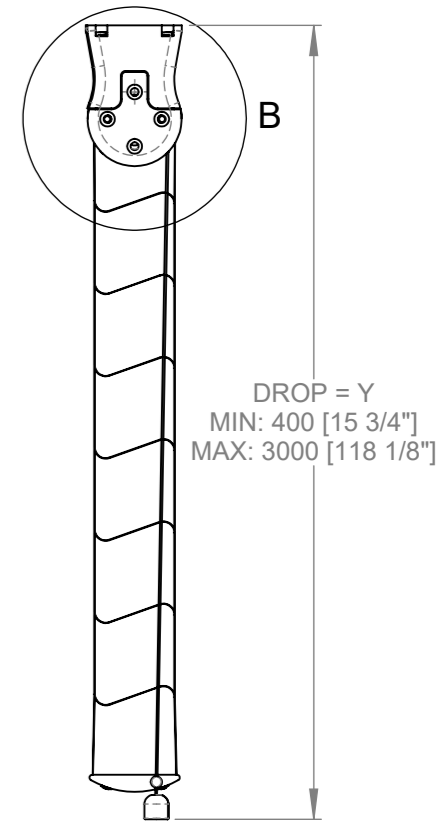
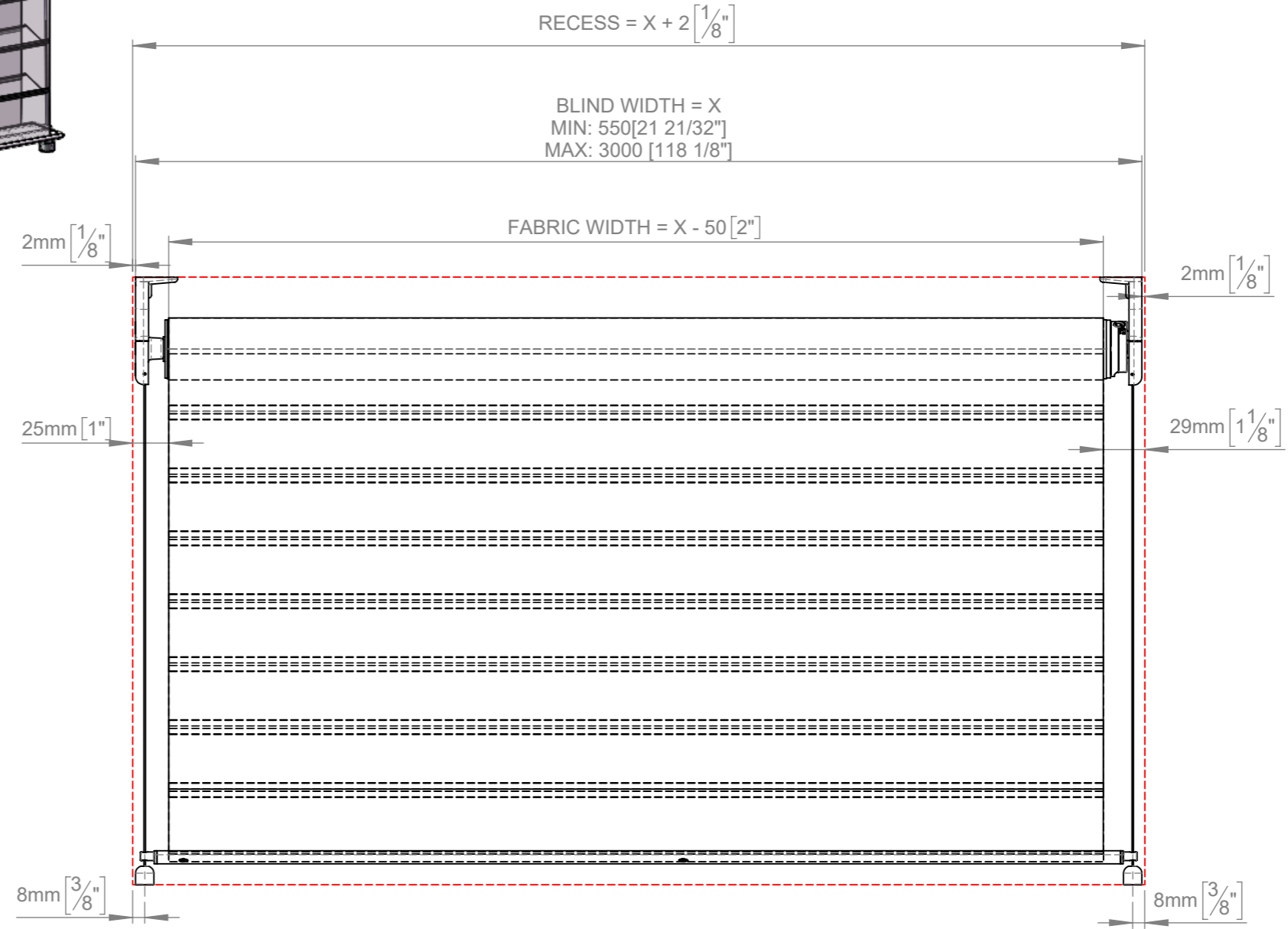
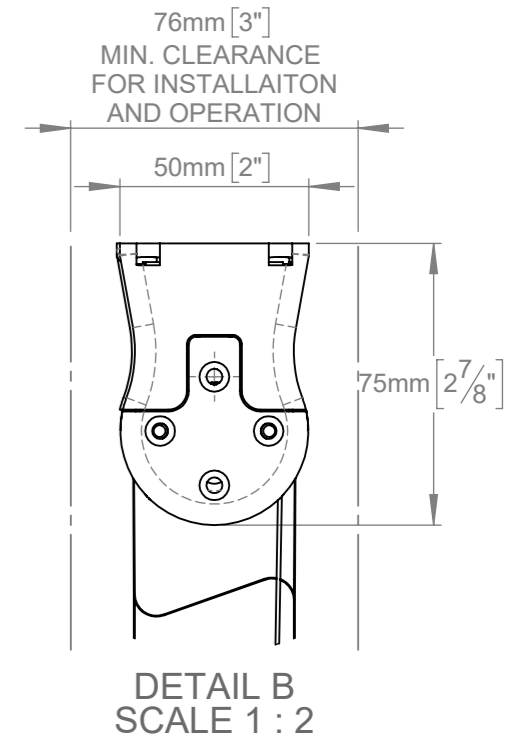
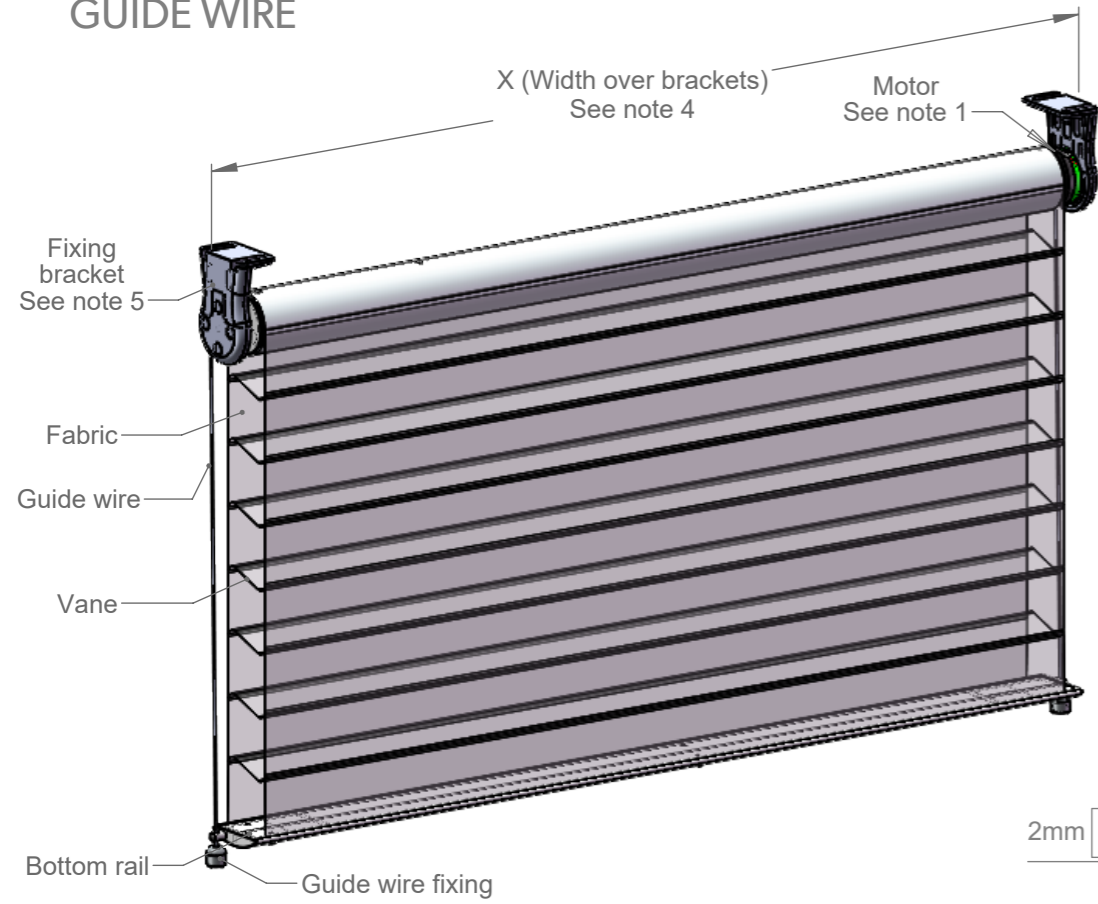


## SKYVIEW POWERED (TUBE 40) GUIDE WIRE



**Notes:**

1. Motor wire can exit either side (left/right), please specify.
2. Allow sufficient space for installation.
3. Dimensions in millimeters (Imperial equivalents shown for reference only).
4. Refer to product guide for Min/Max dimensions.
5. Brackets suitable for top or face fix.