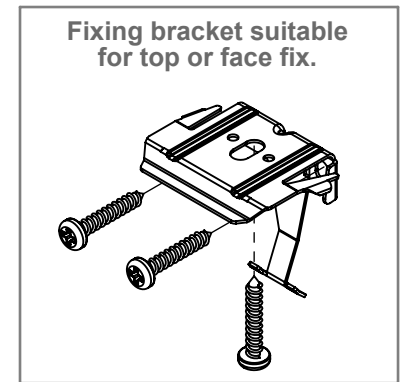
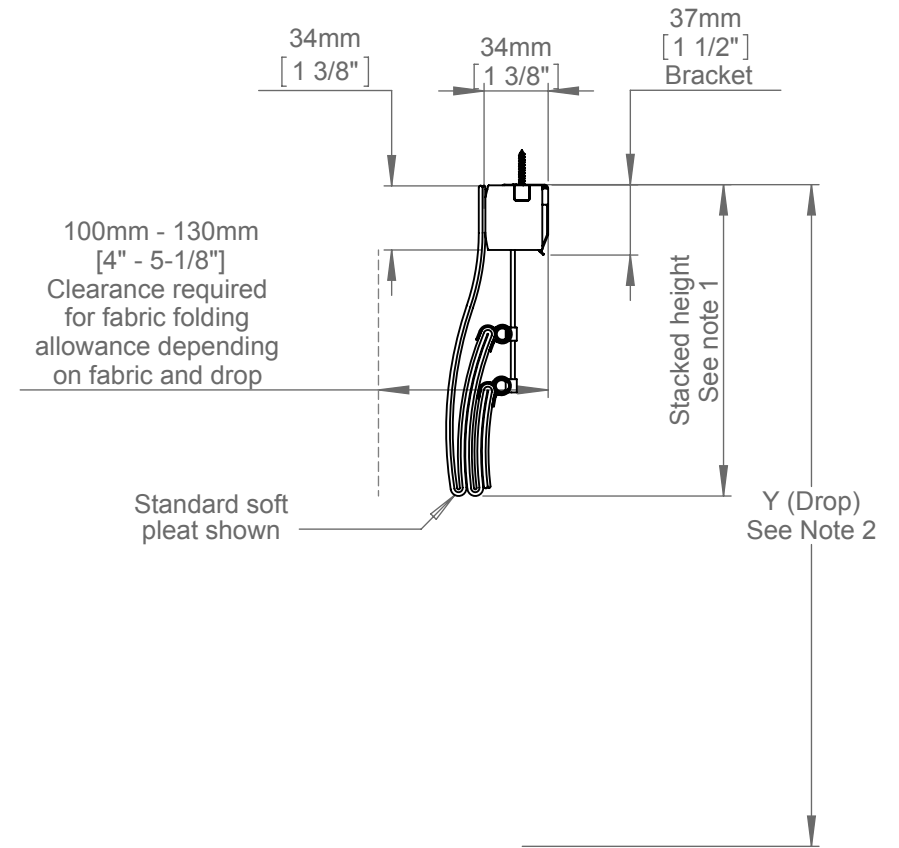
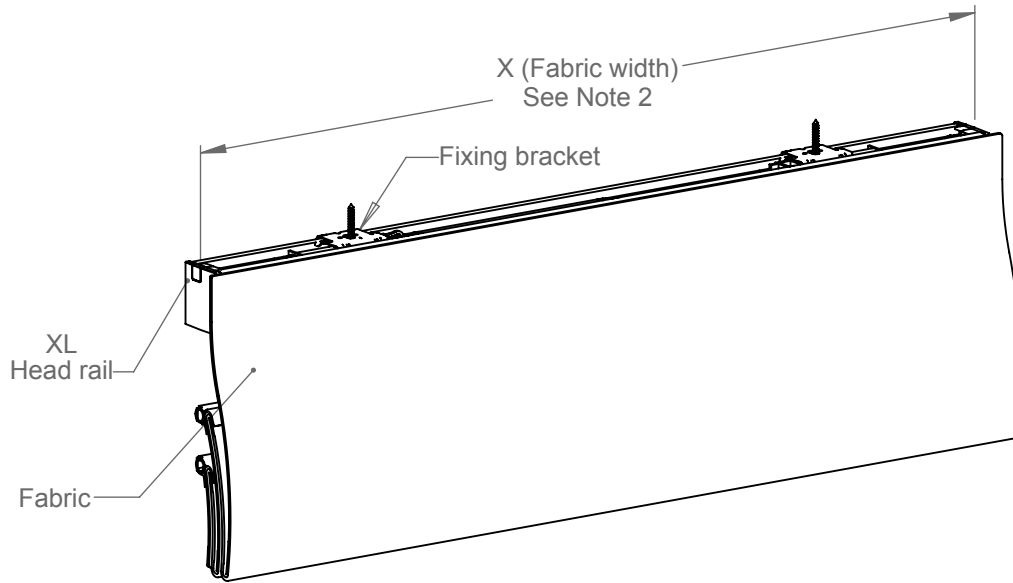


# DOMETIC ROMANBLIND XL Powered - Free Hanging



- Notes:
- 1 Refer to Oceanair for further stack height information.
  - 2 Refer to product guide for Min/Max dimensions.
  - 3 Bracket quantity dependant on width of blind.