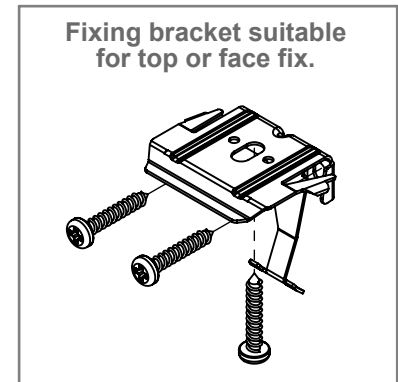
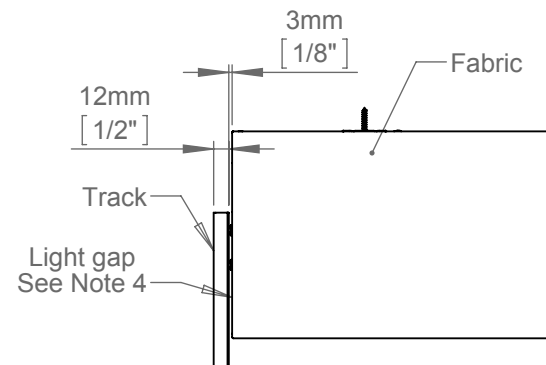
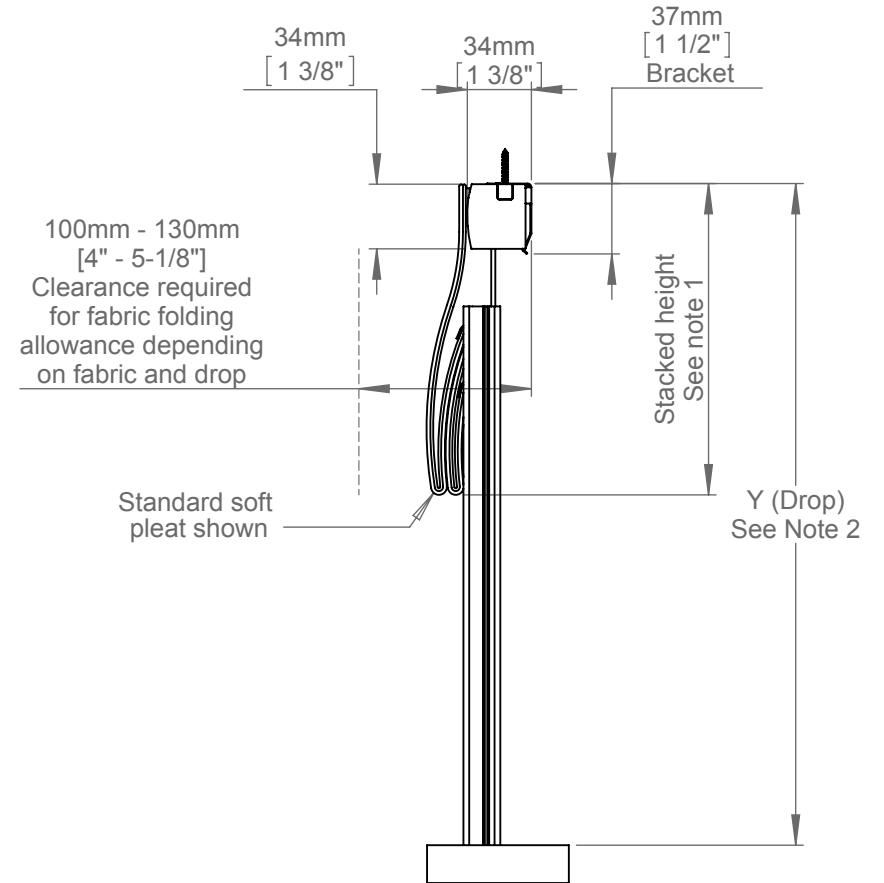
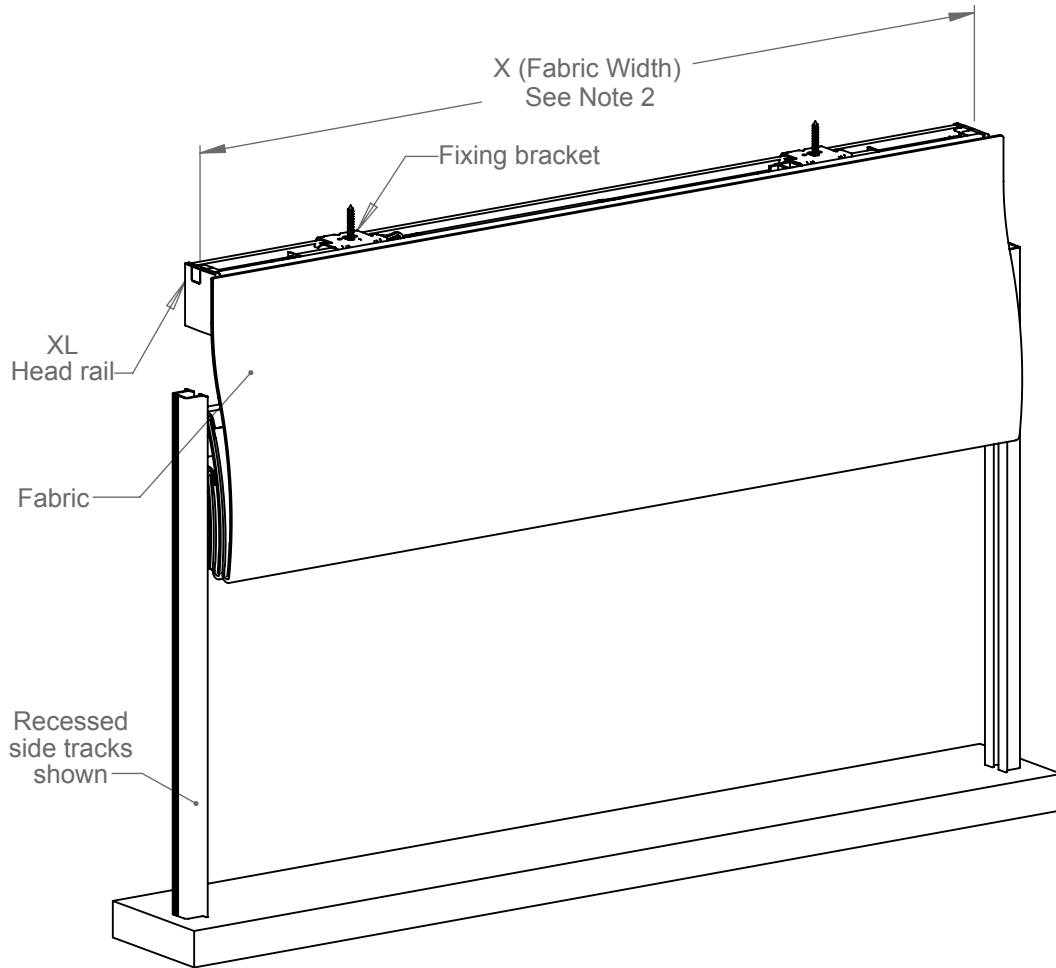


DOMETIC

ROMANBLIND

XL
Powered - Side Track



- Notes:
- 1 Refer to Oceanair for further stack height information.
 - 2 Refer to product guide for Min/Max dimensions.
 - 3 Bracket quantity dependant on width of blind.
 4. Refer to Oceanair for further light gap information.