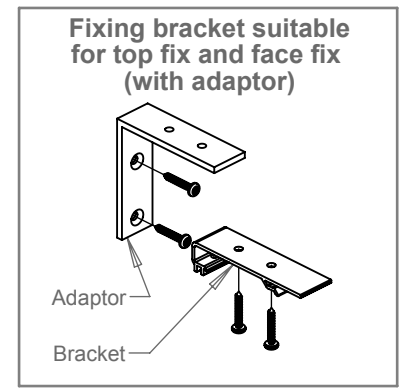
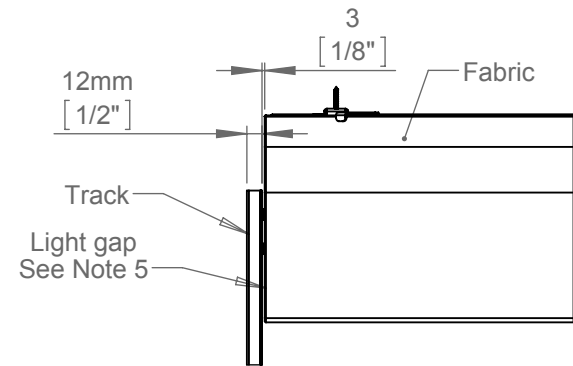
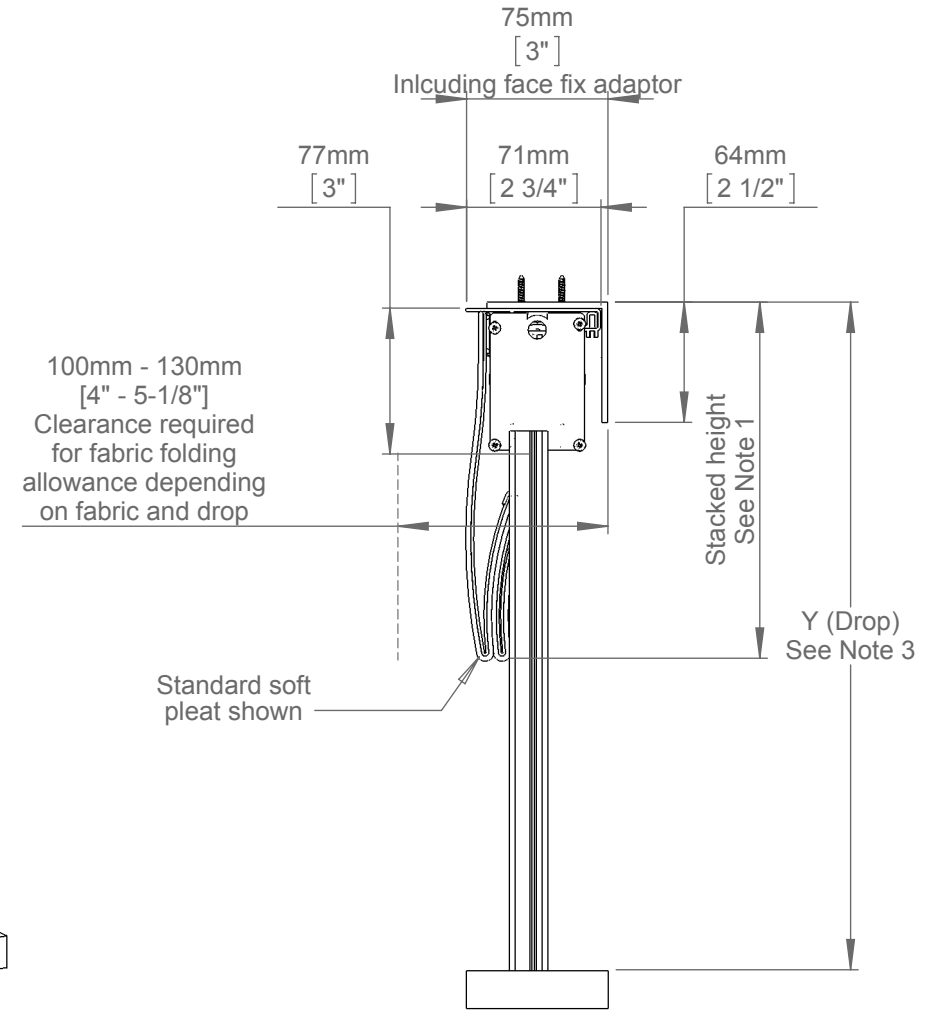
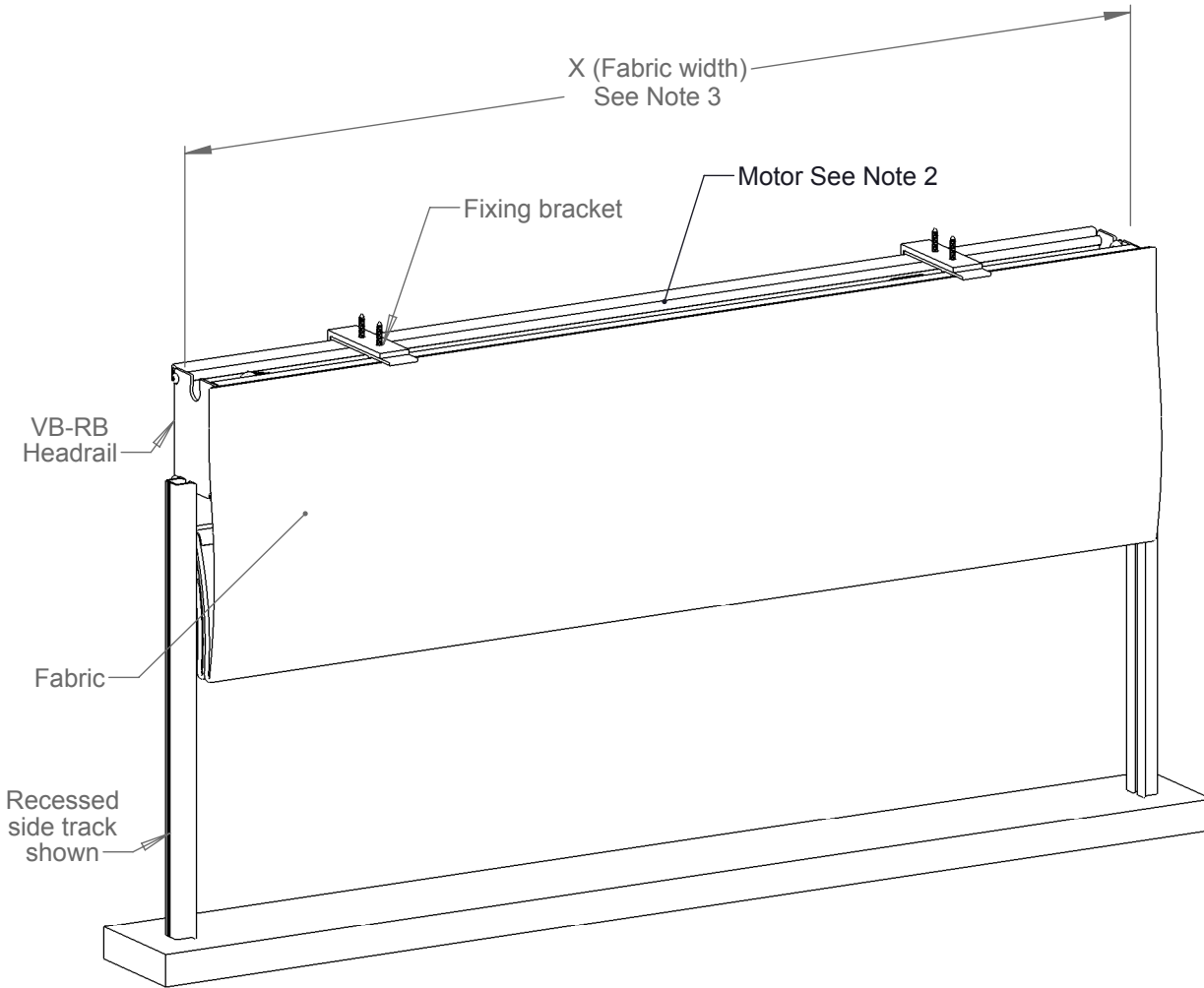


DOMETIC

ROMANBLIND

VB-RB
Powered - Side track



Notes:

- 1 Refer to Oceanair for further stack height information.
- 2 Min X dependant on motor. See product guide for details.
- 3 Refer to product guide for Min/Max dimensions.
- 4 Bracket quantity dependant on width of blind.
- 5 Refer to Oceanair for further light gap information.