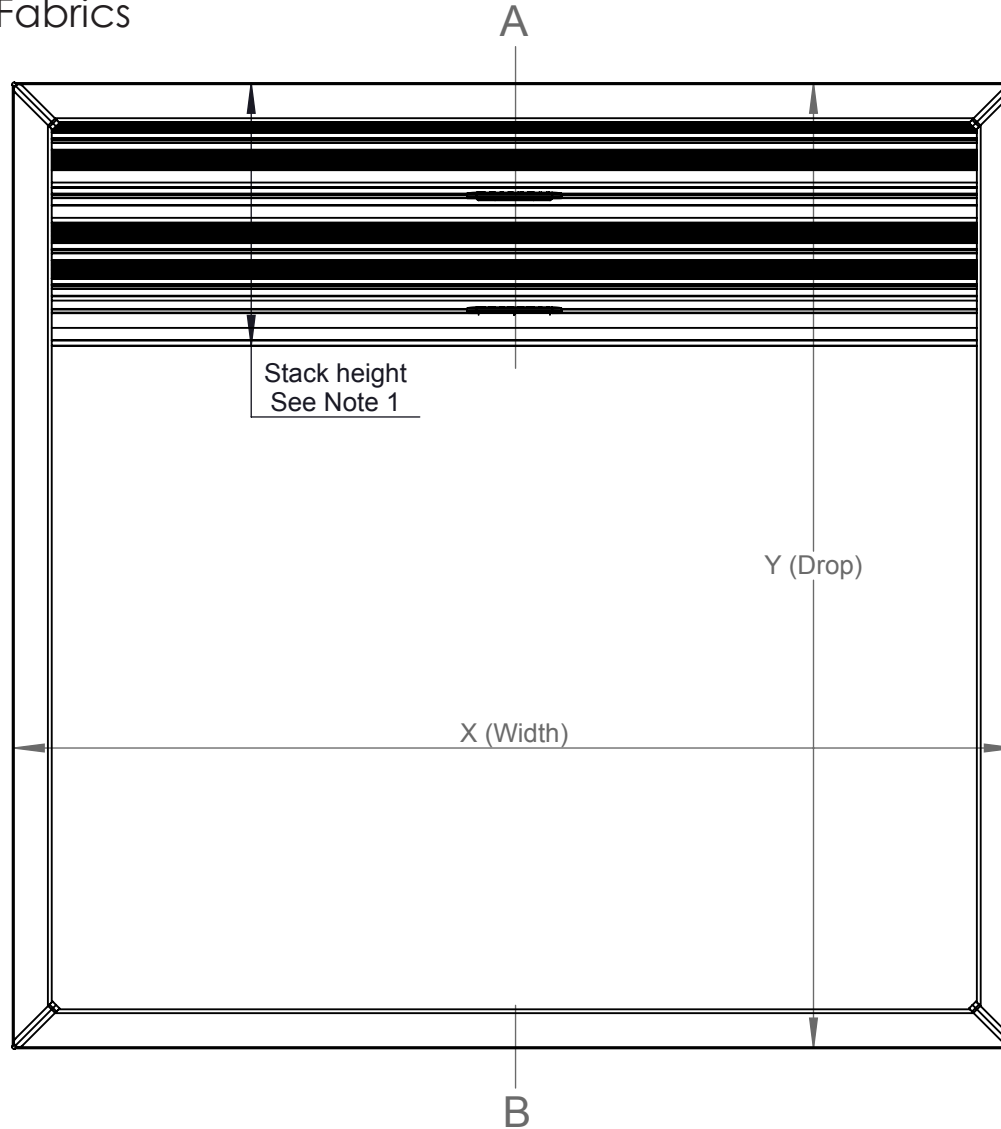
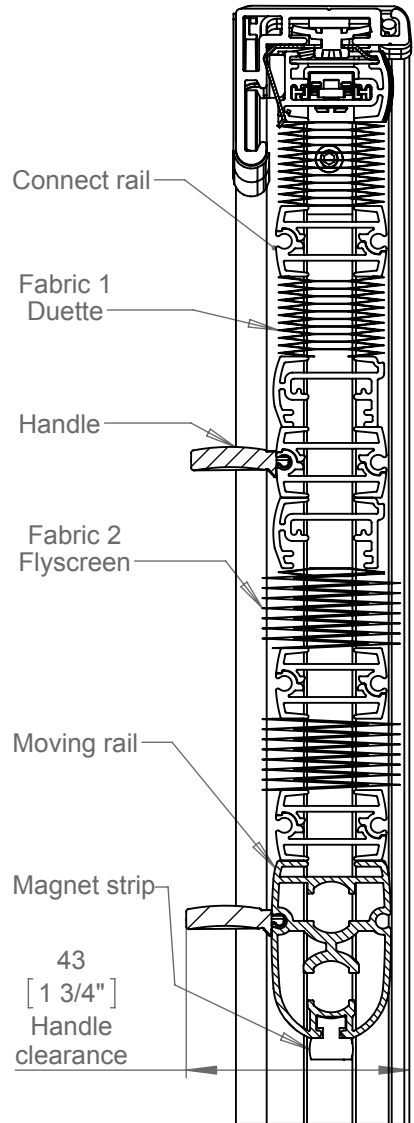
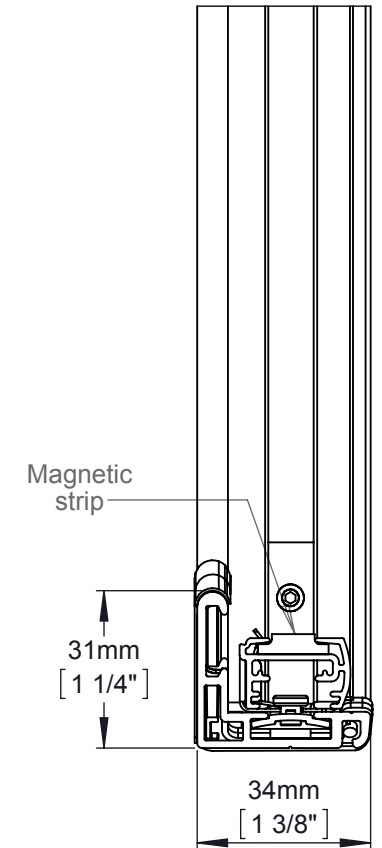


Section - A



Section - B



Notes:

- 1 Stack height dependant on fabric types and Y dimension.
- 2 Number of connect rails required depends on Y dimension.
- 3 Refer to product guide for Min/Max dimensions.
- 4 Custom option curved frame along Y dimension (Minimum radius 7.5m - see order form).
- 5 This blind is for horizontal mounting only.