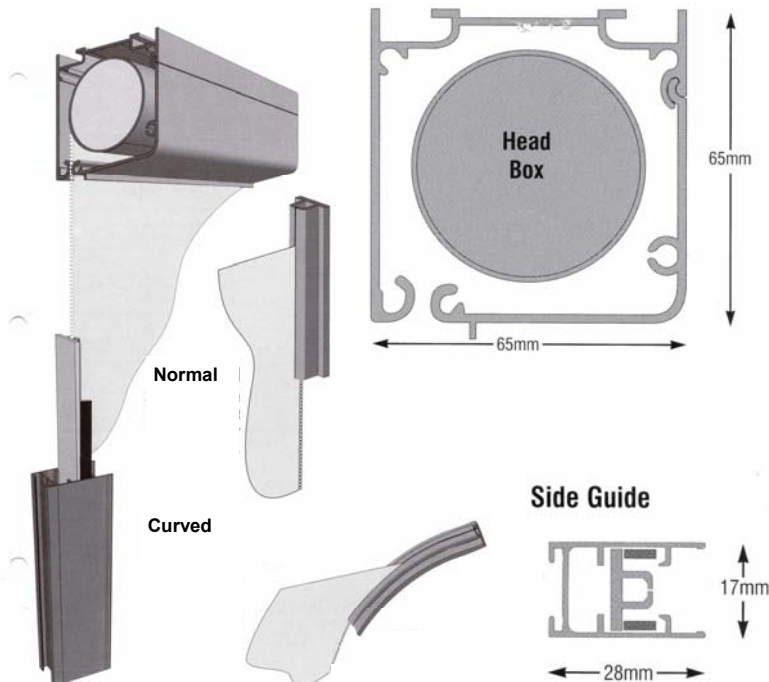


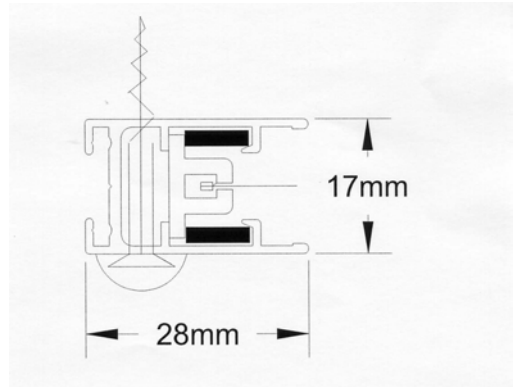
# WINDOWshade - Technical Sheet 31

## 65mm

### General Arrangement Drawing

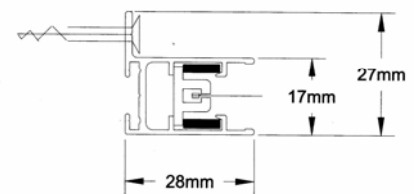


Face Fix



Side Fix

17 x 28 Channel



### Features

- Neat, efficient and robust top cassette containing cloth, roller and all necessary operating mechanism
- Cloth zips into side channel along its entire length offering complete blackout even in breezy conditions
- Thin two part side guide section, comprising an aluminium outer channel and a uPVC inner channel
- Thin bottom channel guide for the cloth to link into and seal against when blind is drawn
- Standard version operated manually by lifting or lowering the hem bar. Side chain or cord operation available
- The innovative cloth guide system allows for narrow and extra long blinds.
- Powered versions are available: simple control switch or remote control. A 24v DC electric motor is fitted within the head box to give simple and trouble free use

### Install design points

- Access for maintenance is via a removable front cover

### How to Order

- To order use Custom Order Form or contact Oceanair

### Technical Specification

- Head box, side and bottom channel are powder coated aluminium available in white (RAL 9010) or black as standard.
- Side chain mechanism includes non-slip clutch system.
- Side chain available in white, grey, beige and bright steel