

MINIMAR

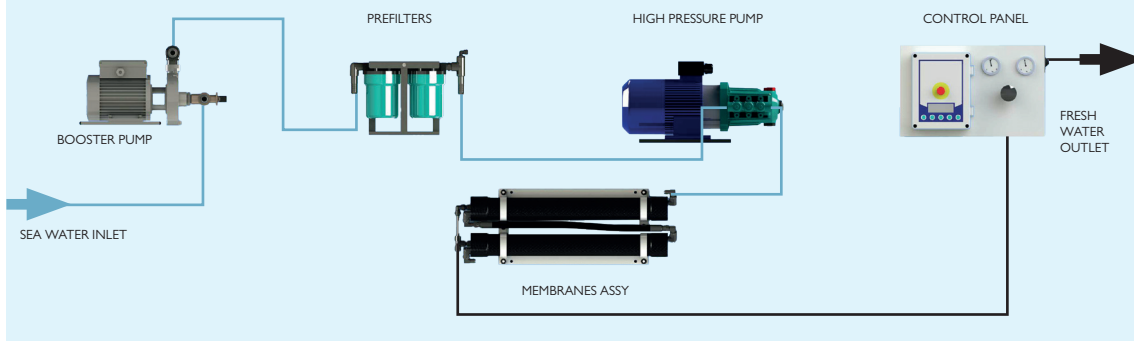
MINIMAR Reverse Osmosis watermakers are the choice when power or space is an issue. Available in 12-24V DC, they can be used in very small sailing boats and yacht connected to the batteries, solar or wind power sources without the need of a generator; ideal to stay free from the constraints and expenses of marinas. MINIMAR excels for hands-on simplicity and high quality components like the stainless steel base, clamps and high pressure fittings; FDA compliant membranes and filters and TÜV certified lightweight carbon fiber pressure vessels. On request, MINIMAR can be supplied with automatic membrane flushing, electronic control box as well as with an activated charcoal filter to improve the quality of the produced water.



STANDARD FEATURES:

- High and low pressure gauges;
- Available voltage: 12/24 V dc
- Easy installation, control and maintenance

SLIM CONFIGURATION



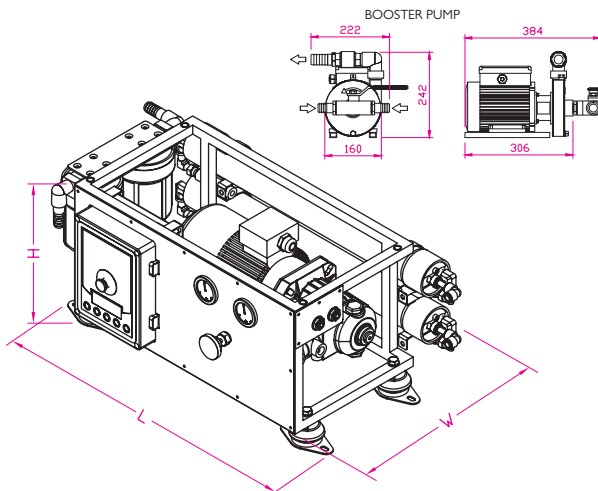
ACCESSORIES



TECHNICAL DATA

Model	Production per hour (litres / gallons)	Production per day (litres / gallons)	Installed Power (kW)	Voltage (Volt)	Frequency (Amps)	Weight (kg)	Dimensions (mm)
MINIMAR 200	30 / 7.9	720 / 190	0.6	12 / 24V DC	58 (12 V) / 27 (24 V)	36	750 x 430 x 310
MINIMAR 400	60 / 15.8	1440 / 379	0.6	12 / 24V DC	60 (12 V) / 29 (24 V)	40	750 x 430 x 310

COMPACT CONFIGURATION



SLIM CONFIGURATION (MODULAR)

