

# MAX

P O W E R

CONTROL TO THE MAX

*NEW SERIES*



 **ECO** PROPORTIONAL

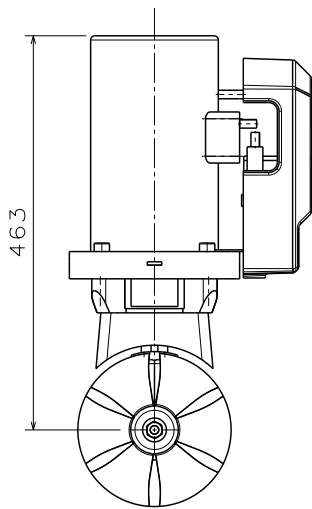
[www.max-power.com](http://www.max-power.com)

**NEW SERIES**

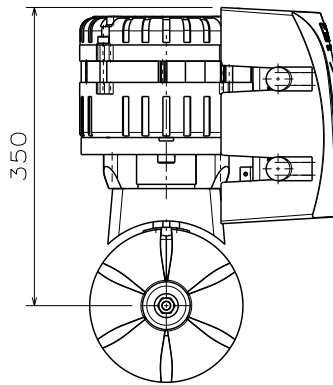
# **ECO** PROPORTIONAL

- ECO FRIENDLY
- FULLY PROPORTIONAL CONTROL
- UNLIMITED RUNTIME\*
- COMPACT AND LIGHTWEIGHT

## Conventional Thrusters



## ECO PRO



\*Until the battery runs out

Made in EU





- Improved performance and efficiency
- Longer lifespan and minimised maintenance
- Smoother and quieter operation, enhancing safety and comfort of crew and passengers
- Eco-friendliness resulting from reduced power consumption
- Compatibility and easy integration into existing thrusters
- Remote troubleshooting

**BACKED BY OUR TEAM OF EXPERTS**  
for installation, maintenance, and repair services

**Included**

**Proportional Joystick**

Precise accuracy with new joystick



**Application**

Modern mobile application for monitoring

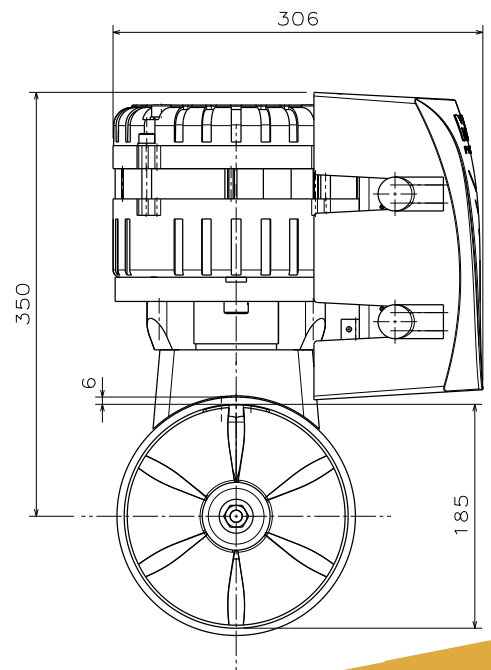


# ECO PROPORTIONAL



**MAX**  
POWER  
CONTROL TO THE MAX

## Dimensions (mm)



Model	ECO-PRO 90	ECO-PRO 110	ECO-PRO 130
Code	636674	636675	636676
Voltage (V)	24	24	48
Thrust (Kg)	90	110	130
Propellers	Duo	Duo	Duo
Power (KW/hp)	5,3/7,1	6/8	8/10,7
Drive Leg (material)	Composite	Composite	Composite
Tunnel Ø (mm)	185	185	185
Boat type	Boat Length (Feet/Metres)		
Heavy Displacement High Windage & Cruising	28'-35' / 6-10,6m	32'-40' / 9,7-12m	35'-46' / 10,6-14m
Medium Displacement Medium Windage & Fast Cruising	30'-40' / 9-12m	36'-48' / 11-14,6m	42'-55,5' / 12,8-17m
Light Displacement Light Windage & Super Fast Cruising	33'-46' / 10-14m	39'-51' / 11,8-15,5m	46'-60' / 14-18m